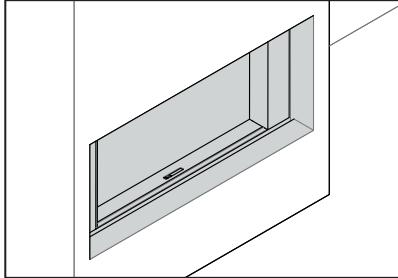
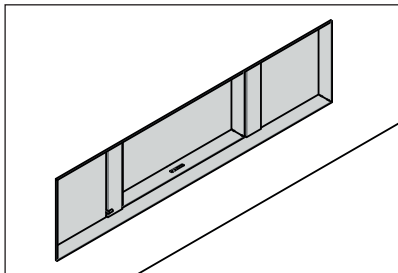
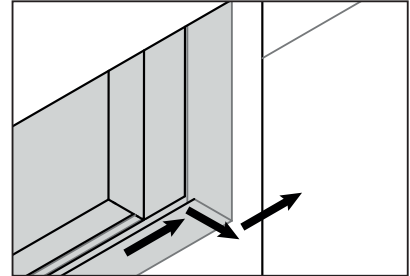


The Stuv 22 offers several installation options:



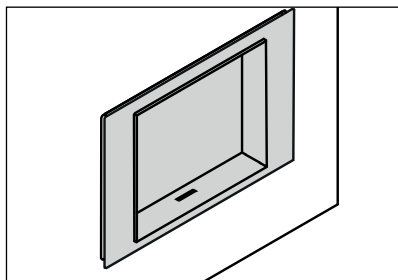
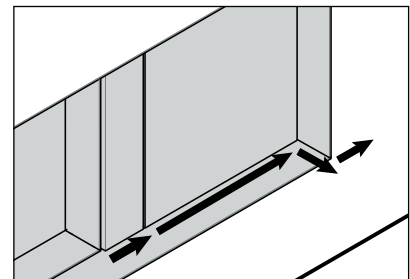
### FRAMES S4

- 92 mm door frame
- Door grip on left
- Welded sides



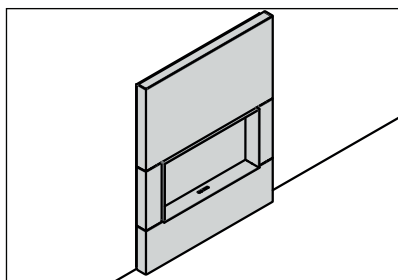
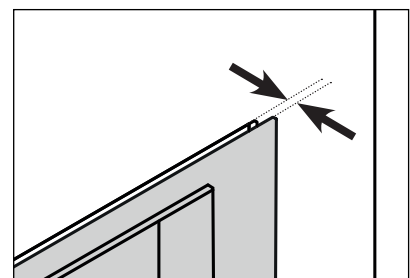
### FRAMES L4

- 92 mm door frame
- Door grip on left
- Available in version ready to decorate
- Customized widths



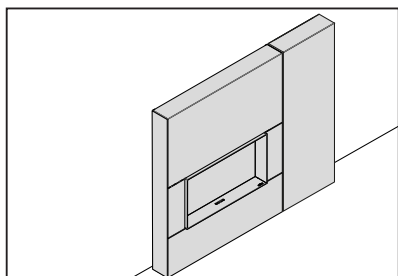
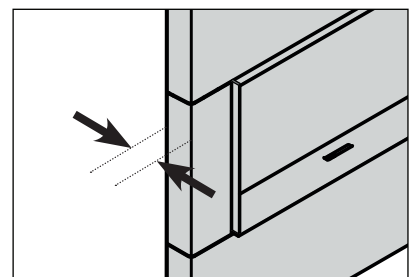
### FRAMES A4

- 125 mm door frame
- Door grip on right
- For use only with thin partitions



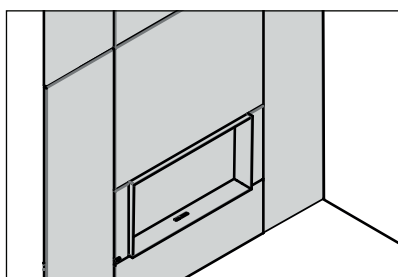
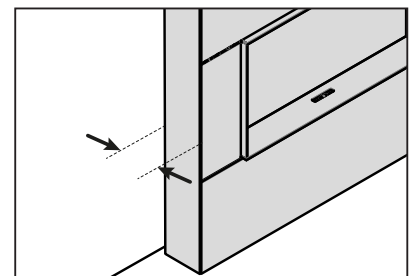
### DS FRONT

- 125 mm door frame
- Door grip on right
- Integrated air inlets and outlets



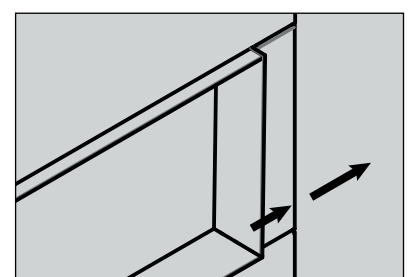
### SF FRONT

- 125 mm door frame
- Door grip on left

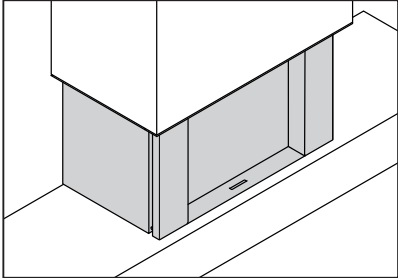


### STRUCTURE READY TO DECORATE

- 125 mm door frame
- Door grip on left
- Structure to be decorated with panels (e.g.: wood, fibres, sheet metal)

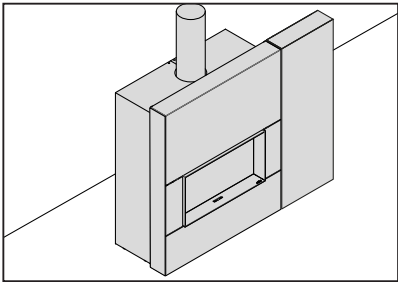
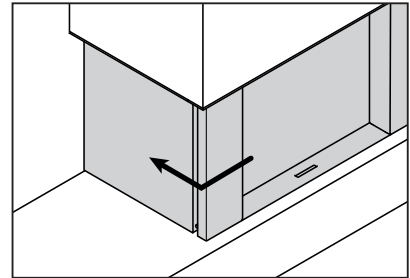


The Stuv 22 offers several installation options:



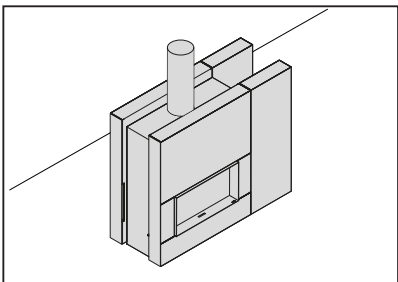
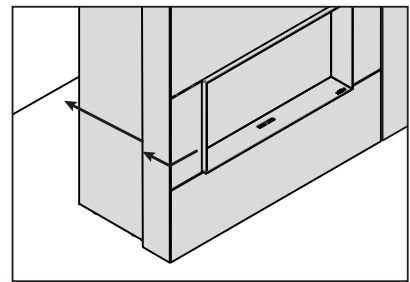
### FRAMES C

- 92mm door frame
- Door grip on left or right
- Thin panel



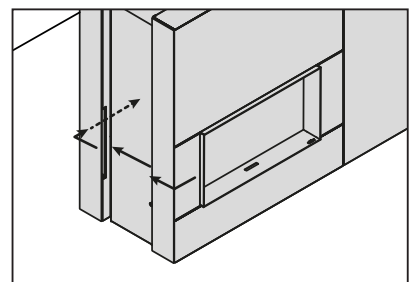
### READY-TO-FIT FIREPLACE SF1 & SF2

- 125 mm door frame
- Door grip on left or right
- SF1 = symmetrical
- SF2 = asymmetrical left or right



### READY-TO-FIT FIREPLACE DF1 - DF2 - DF7

- 125 mm door frame
- Door grip on left or right
- DF1 = symmetrical
- DF2 = asymmetrical left or right



## 22/70 SF | The stove

### enjoyment of the fire

the fire is fully and equally visible in open and closed modes

precision control of combustion, wide range of usage, high efficiency

extremely air-tight system

### architectural integration

making the finish easier, the frames enable masonry to be concealed and the wall to be protected from radiation and dirt

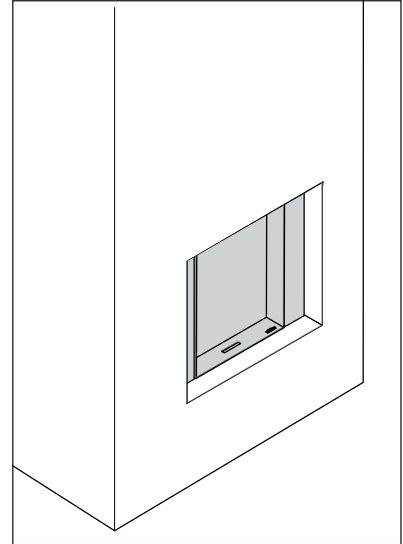
### easy to use and maintain

easy to use in open fire mode thanks to air valve and integrated system for managing compensation air

easy installation: a single core hole for direct air inlet and compensation air

### patents

EP 1445541



## TECHNICAL OVERVIEW

### GENERAL

TYPE OF STOVE	fitted
MATERIALS	steel + cast iron + refractory bricks
COLOUR	Dark Grey
LOADING	manual
FUEL	wood
LOG POSITION	horizontal
LOG LENGTH	55/33 cm

### WEIGHT / SIZE

WEIGHT	238 kg
Ø OF SMOKE FLUE	180 mm
Ø OF HOT AIR OUTLETS	150 mm
Ø OF OUTSIDE AIR INLET	100/160 mm

### AIR

DIRECT EXTERNAL INLET	✓
PRIMARY AIR CONTROL	✓
SECONDARY AIR CONTROL	✓
POST-COMBUSTION	✓
AIR-TIGHTNESS	+++
OPERATES WITHOUT FAN	✓
OVERHEATING INDICATOR	✓
COMPENSATION AIR	✓

### PERFORMANCE

NOMINAL OUTPUT	11 kW
RANGE OF USAGE	4-12 kW
EFFICIENCY	80%
CO EMISSIONS	0.08%
FINE PARTICLE EMISSIONS	20 mg/Nm <sup>3</sup>
WOOD CONSUMPTION RANGE	1.2-3.8 kg/h
MINIMUM DRAW	12 Pa
SMOKE MASS FLOW	10.7 g/s
AVERAGE TEMP. OF SMOKE	262°C
CONSUMPTION OF ROOM AIR FOR COMBUSTION	32 m <sup>3</sup> /h
ENERGY EFFICIENCY INDEX (EEI)	107
ENERGY EFFICIENCY CLASS	A+

### MINIMUM THICKNESS OF INSULATION BETWEEN STOVE AND COMBUSTIBLE MATERIALS

BACK FACE	9 cm
SIDE FACE	7 cm
TOP FACE	7.5 cm
BOTTOM FACE	0 cm

### ACCESSORIES / EQUIPMENT

HEAT ACCUMULATION	X
CUPBOARDS	X
BARBECUE	○
ASH PAN	X
FAÇADE	○
OPEN FIRE	○
GROUND PLATE	X
READY-TO-FIT	X
LOG RACK	○
ROTATING	X
BASE	X
FAN	○
RETRACTABLE GLASS	✓

### LEGEND

✓	STANDARD
X	UNAVAILABLE
○	OPTIONAL

Conforms with:  
 - OPair (CH) - BlmSchV2 (DE)  
 - BE Phase 3 - ECODESIGN 2022



## 22/90 SF | The stove

### enjoyment of the fire

the fire is fully and equally visible in open and closed modes

precision control of combustion, wide range of usage, high efficiency

extremely air-tight system

### architectural integration

making the finish easier, the frames enable masonry to be concealed and the wall to be protected from radiation and dirt

### easy to use and maintain

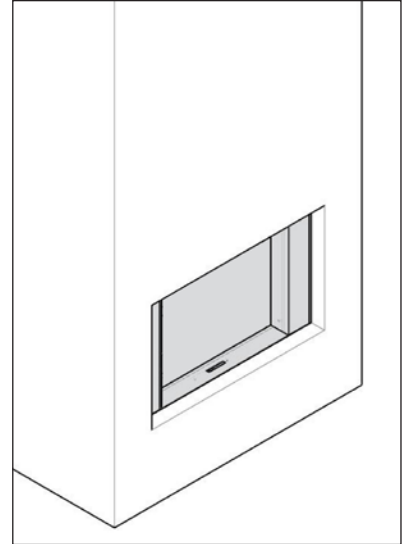
easy to use in open fire mode thanks to air valve and integrated system for managing compensation air

easy installation: a single core hole for direct air inlet and compensation air

simple cleaning and maintenance

### patents

EP 1445541



## TECHNICAL OVERVIEW

### GENERAL

TYPE OF STOVE	fitted
MATERIALS	steel + cast iron + refractory bricks
COLOUR	Dark Grey
LOADING	manual
FUEL	wood
LOG POSITION	horizontal
LOG LENGTH	50 cm

### WEIGHT / SIZE

WEIGHT	265 kg
Ø OF SMOKE FLUE	200 mm
Ø OF HOT AIR OUTLETS	150 mm
Ø OF OUTSIDE AIR INLET	100/160 mm

### AIR

DIRECT EXTERNAL INLET	✓
PRIMARY AIR CONTROL	✓
SECONDARY AIR CONTROL	✓
POST-COMBUSTION	✓
AIR-TIGHTNESS	+++
OPERATES WITHOUT FAN	✓
OVERHEATING INDICATOR	✓
COMPENSATION AIR	✓

### PERFORMANCE

NOMINAL OUTPUT	15 kW
RANGE OF USAGE	5-16 kW
EFFICIENCY	80%
CO EMISSIONS	0.08%
FINE PARTICLE EMISSIONS	18 mg/Nm <sup>3</sup>
WOOD CONSUMPTION RANGE	1.6-5 kg/h
MINIMUM DRAW	12 Pa
SMOKE MASS FLOW	12.5 g/s
AVERAGE TEMP. OF SMOKE	284°C
CONSUMPTION OF ROOM AIR FOR COMBUSTION	37 m <sup>3</sup> /h
ENERGY EFFICIENCY INDEX (EEI)	107
ENERGY EFFICIENCY CLASS	A+

### MINIMUM THICKNESS OF INSULATION BETWEEN STOVE AND COMBUSTIBLE MATERIALS

BACK FACE	7 cm
SIDE FACE	7 cm
TOP FACE	6 cm
BOTTOM FACE	5 cm

### ACCESSORIES / EQUIPMENT

HEAT ACCUMULATION	X
CUPBOARDS	X
BARBECUE	○
ASH PAN	X
FAÇADE	○
OPEN FIRE	○
GROUND PLATE	X
READY-TO-FIT	X
LOG RACK	○
ROTATING	X
BASE	X
FAN	○
RETRACTABLE GLASS	✓

### LEGEND

✓	STANDARD
X	UNAVAILABLE
○	OPTIONAL

Conforms with:  
 - OPair (CH) - BlmSchV2 (DE)  
 - BE Phase 3 - ECODESIGN 2022



in accordance with

## 22/110 SF | The stove

### enjoyment of the fire

the fire is fully and equally visible in open and closed modes

precision control of combustion, wide range of usage, high efficiency

extremely air-tight system

### architectural integration

making the finish easier, the frames enable masonry to be concealed and the wall to be protected from radiation and dirt

### easy to use and maintain

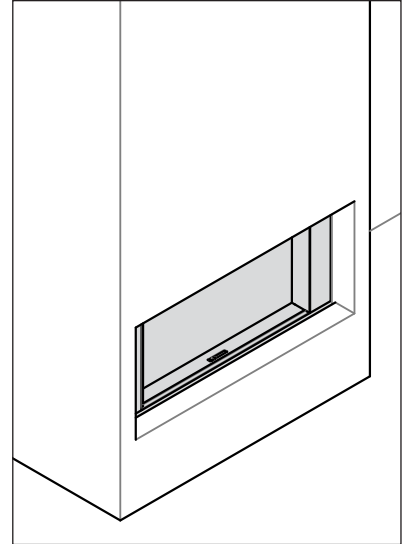
easy to use in open fire mode thanks to air valve and integrated system for managing compensation air

easy installation: a single core hole for direct air inlet and compensation air

simple cleaning and maintenance

### patents

EP 1445541



## TECHNICAL OVERVIEW

### GENERAL

TYPE OF STOVE	fitted
MATERIALS	steel + cast iron + refractory bricks
COLOUR	Dark Grey
LOADING	manual
FUEL	wood
LOG POSITION	horizontal
LOG LENGTH	80 cm

### WEIGHT / SIZE

WEIGHT	277 kg
Ø OF SMOKE FLUE	200 mm
Ø OF HOT AIR OUTLETS	150 mm
Ø OF OUTSIDE AIR INLET	100/160 mm

### AIR

DIRECT EXTERNAL INLET	✓
PRIMARY AIR CONTROL	✓
SECONDARY AIR CONTROL	✓
POST-COMBUSTION	✓
AIR-TIGHTNESS	+++
OPERATES WITHOUT FAN	✓
OVERHEATING INDICATOR	✓
COMPENSATION AIR	✓

### PERFORMANCE

NOMINAL OUTPUT	16.5 kW
RANGE OF USAGE	5-18 kW
EFFICIENCY	80%
CO EMISSIONS	0.09%
FINE PARTICLE EMISSIONS	26 mg/Nm <sup>3</sup>
WOOD CONSUMPTION RANGE	1.6-5.6 kg/h
MINIMUM DRAW	12 Pa
SMOKE MASS FLOW	14.9 g/s
AVERAGE TEMP. OF SMOKE	283°C
CONSUMPTION OF ROOM AIR FOR COMBUSTION	44 m <sup>3</sup> /h
ENERGY EFFICIENCY INDEX (EEI)	107
ENERGY EFFICIENCY CLASS	A+

### MINIMUM THICKNESS OF INSULATION BETWEEN STOVE AND COMBUSTIBLE MATERIALS

BACK FACE	11 cm
SIDE FACE	14 cm
TOP FACE	13 cm
BOTTOM FACE	5 cm

### ACCESSORIES / EQUIPMENT

HEAT ACCUMULATION	X
CUPBOARDS	X
BARBECUE	○
ASH PAN	X
FAÇADE	○
OPEN FIRE	○
GROUND PLATE	X
READY-TO-FIT	X
LOG RACK	○
ROTATING	X
BASE	X
FAN	○
RETRACTABLE GLASS	✓

### LEGEND

✓	STANDARD
X	UNAVAILABLE
○	OPTIONAL

Conforms with:  
 - OPair (CH) - BlmSchV2 (DE)  
 - BE Phase 3 - ECODESIGN 2022

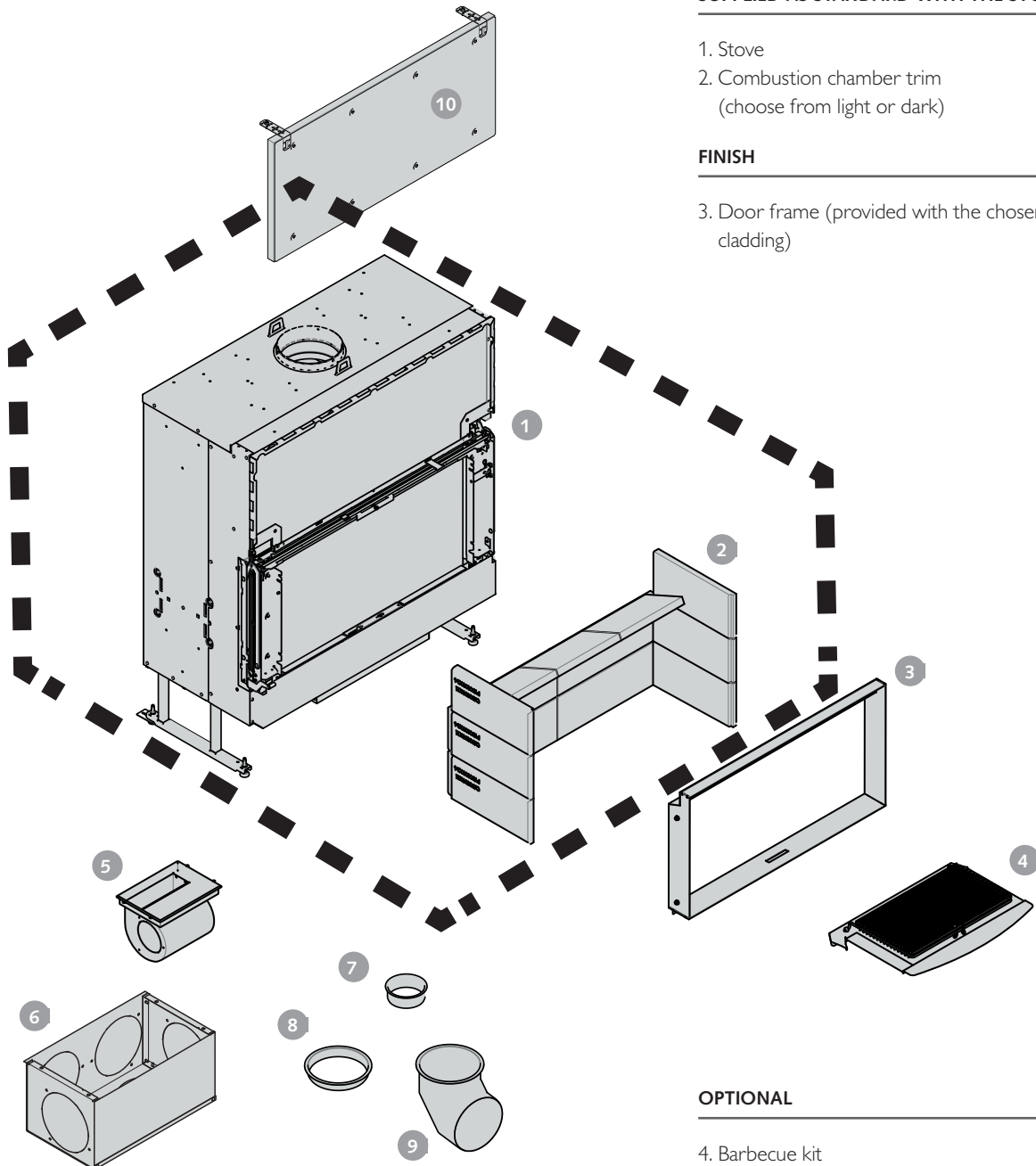


in accordance with

# Stûv 22 SF | The stove

# stûv

## THE BASIC STOVE AND ITS OPTIONAL EXTRAS



### SUPPLIED AS STANDARD WITH THE STOVE

1. Stove
2. Combustion chamber trim  
(choose from light or dark)

### FINISH

3. Door frame (provided with the chosen cladding)

### OPTIONAL

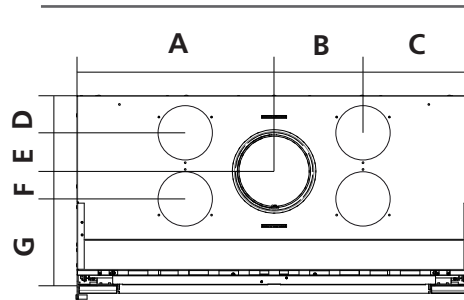
4. Barbecue kit
5. Fan kit
6. Fan unit
7. Nozzle  $\varnothing$ 100mm for external air inlet  
(provided with flexible tube)
8. Nozzle  $\varnothing$ 160mm for external air inlet +  
make-up air (provided with flexible tube)
9. Nozzle and bend  $\varnothing$ 160mm for external  
air inlet + make-up air
10. Front insulation kit

# Stûv 22 SF | The stove

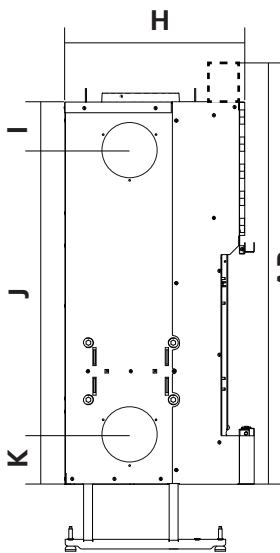


## DEVICE DIMENSIONS WITHOUT DOOR OR FINISH

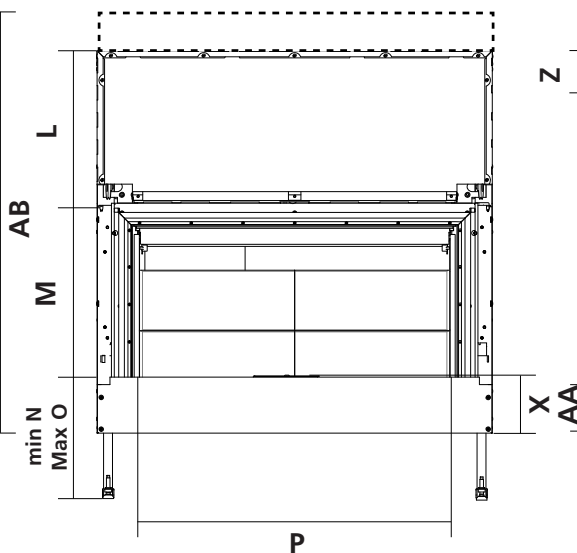
VIEW FROM ABOVE



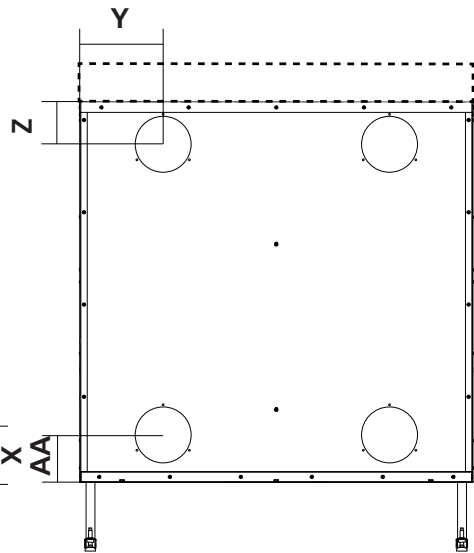
SIDE VIEW



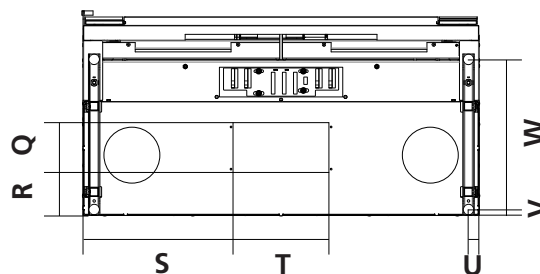
FRONT VIEW



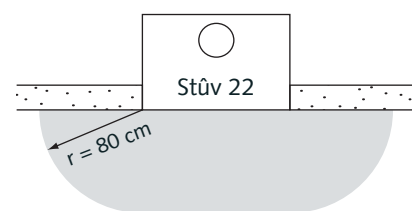
REAR VIEW



VIEW FROM BELOW



SAFETY DISTANCES



DIM.  
(MM)

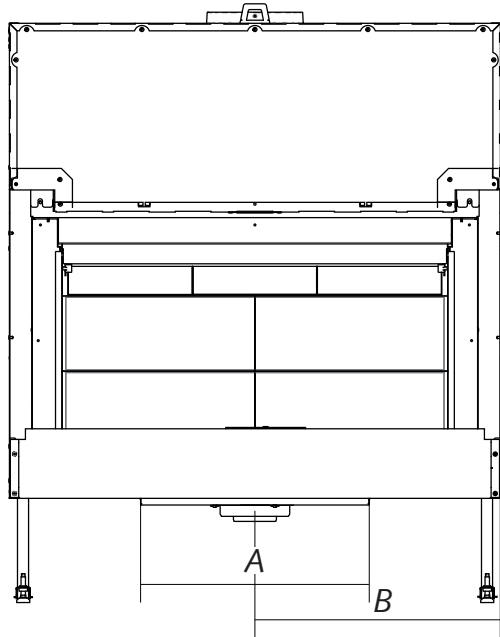
	A	B	C	D	E	F	G	H	I	J	K	L	M	N	O	P	Q	R	S	T	U	V	W	X	Y	Z	AA	AB
22/70	355	260	94	103	110	81	212	505	117	1014	111	610	640	220	600	470	186	95	220	265	30	15	420	160	135	105	111	1412
22/90	455	250	205	103	110	81	212	505	135	900	137	540	570	220	600	670	186	95	320	265	30	15	420	160	235	120	132	1272
22/110	555	250	305	103	110	81	212	505	135	800	137	440	470	220	600	870	186	95	420	265	30	15	420	160	235	120	132	-

# Stûv 22 SF | The stove

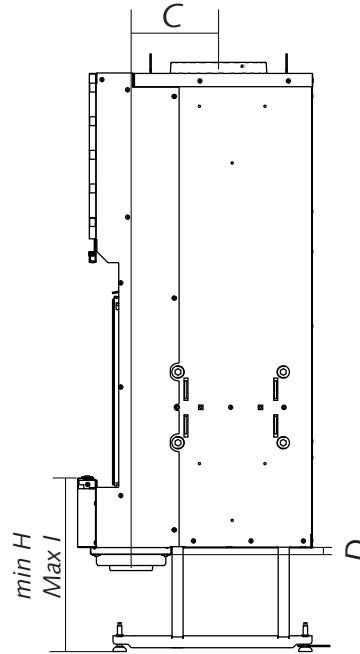


## DIMENSIONS OF THE AIR BOX VERTICALLY WITH A NOZZLE OF Ø 100 MM OF Ø160 MM

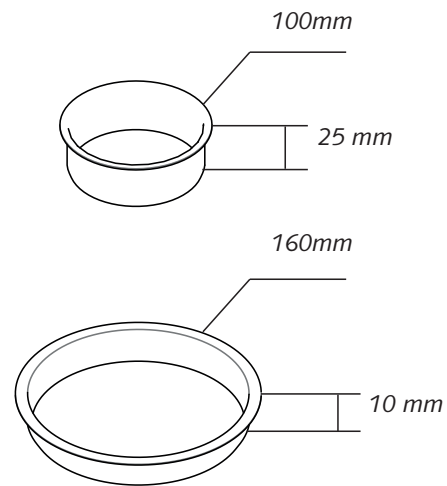
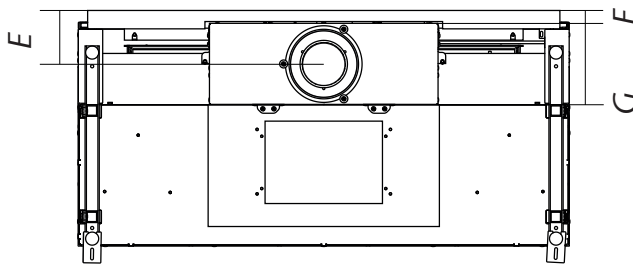
FRONT VIEW



SIDE VIEW



VIEW FROM BELOW



DIMENSIONS (IN MM)	A	B	C*	D	E	F	G	H	I
STÛV 22/70	520	355	198	15	130	30	180	220	600
STÛV 22/90	520	455	198	15	130	30	180	220	600
STÛV 22/110	520	555	198	15	130	30	180	220	600

\*distance between the centre of the air inlet nozzle and the centre of the smoke outlet.

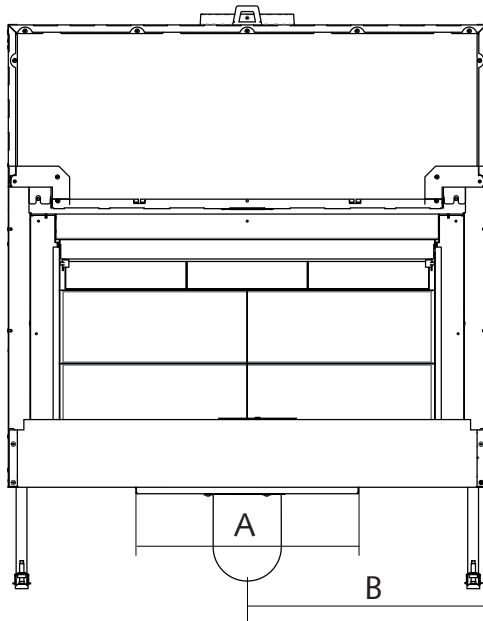


# Stûv 22 SF | The stove

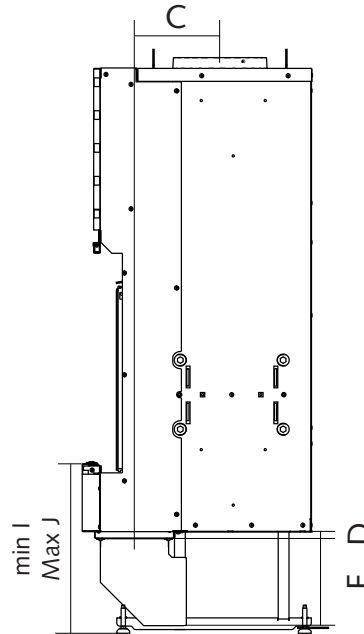
## DIMENSIONS OF THE AIR BOX HORIZONTALLY WITH A Ø160MM BEND

\* not compatible with a fan

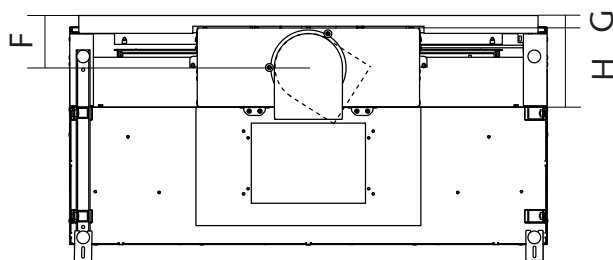
FRONT VIEW



SIDE VIEW



VIEW FROM BELOW



DIMENSIONS (IN MM)	A	B	C*	D	E	F	G	H	I	J
STÜV 22/70	520	355	198	15	200	130	30	180	400	600
STÜV 22/90	520	455	198	15	200	130	30	180	400	600
STÜV 22/110	520	555	198	15	200	130	30	180	400	600

\*distance between the centre of the air inlet nozzle and the centre of the smoke outlet

**CONVECTION AND COMBUSTION AIR CIRCUITS**

**COMBUSTION:  
WINDOW LOWERED**

1. Combustion air: The air needed for combustion is drawn from the outside of the building structure (under the stove or at the rear of the appliance).
2. Combustion. The air intake, the combustion chamber and the extraction of smoke for an air-tight system, which does not hinder the insulation and ventilation of the building.
3. Air chases combustion smoke from the window. This means you can continuously make the most of the view of the flames.
4. The smoke is diverted through a heat exchanger then extracted through the flue.

**COMBUSTION:  
OPEN FIRE**

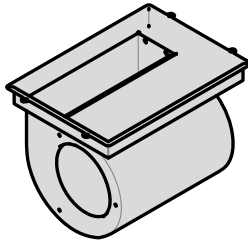
5. In open fire mode, the air taken from outside the building is brought to the stove opening inlet (overfed by bypass). Therefore an open fire does not consume the warm air in the room and does not through internal ventilation off-balance.
6. In open fire mode, the valve opens and allows the smoke to pass through without zig-zagging towards the flue. The draw needed is reduced, as well as the risk of smoke being driven back into the room.

**CONVECTION:  
USE WITH GLASS LOWERED**

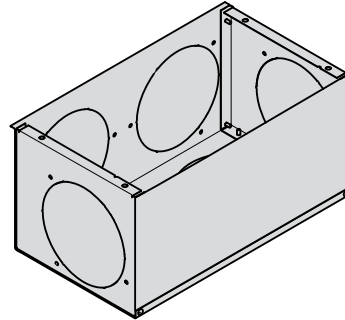
7. The air is drawn from the living area to be reheated.
8. The air circulates in the convection chamber and senses the heat of the smoke.
9. The heated air comes out of the appliance again naturally and spreads into the room.

A fan can be added to accelerate this flow and increase the distribution of heat.

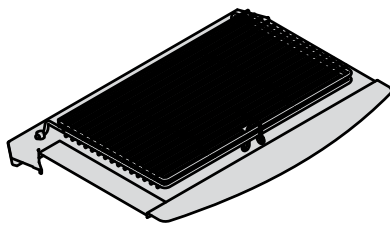
VENTILATION KIT



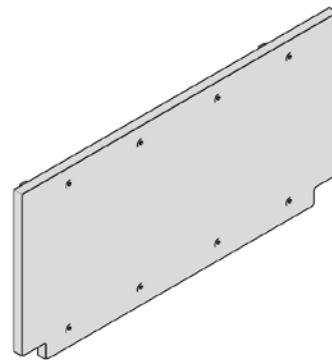
FAN UNIT



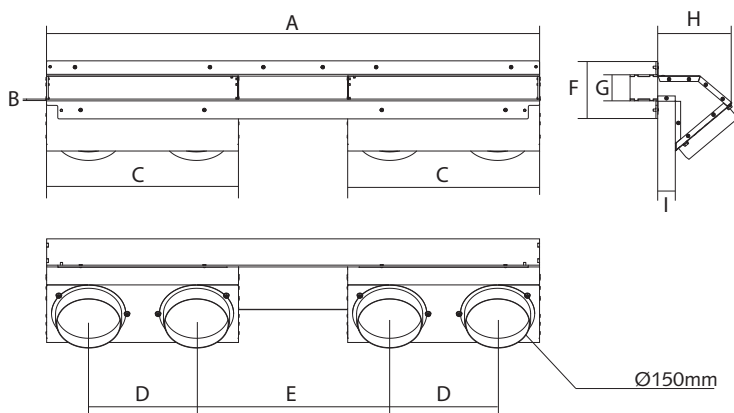
BARBECUE



INSULATION KIT FRONT FACE



HOT AIR OUTLETS



DIMENSIONS  
(IN MM)

	A	B	C	D	E	F	G	H	I
STÜV 22/70	-	-	-	-	-	-	-	-	-
STÜV 22/90	895	4	425	240	230	130	60	170	40
STÜV 22/110	1095	4	425	240	430	130	60	170	40

## 22/90 DF | The stove

### enjoyment of the fire

the fire is fully and equally visible in open and closed modes

precision control of combustion, wide range of usage, high efficiency

extremely air-tight system

### architectural integration

making the finish easier, the frames enable masonry to be concealed and the wall to be protected from radiation and dirt

### easy to use and maintain

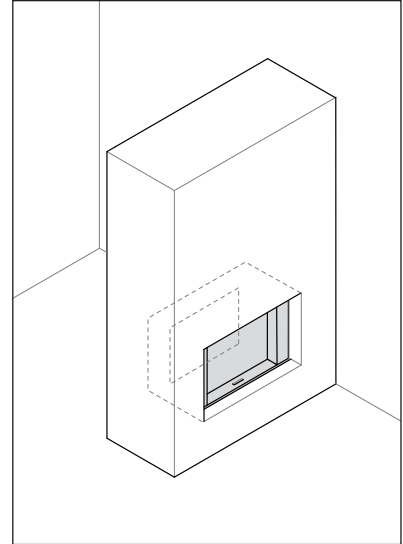
easy to use in open fire mode thanks to air valve and integrated system for managing compensation air

easy installation: a single core hole for direct air inlet and compensation air

simple cleaning and maintenance

### patents

EP 1445541



## TECHNICAL OVERVIEW

### GENERAL

TYPE OF STOVE	fitted
MATERIALS	steel + cast iron + refractory bricks
COLOUR	Dark Grey
LOADING	manual
FUEL	wood
LOG POSITION	horizontal
LOG LENGTH	50 cm

### WEIGHT / SIZE

WEIGHT	296 kg
Ø OF SMOKE FLUE	250 mm
Ø OF HOT AIR OUTLETS	150 mm
Ø OF OUTSIDE AIR INLET	100/160 mm

### AIR

DIRECT EXTERNAL INLET	✓
PRIMARY AIR CONTROL	✓
SECONDARY AIR CONTROL	✓
POST-COMBUSTION	✓
AIR-TIGHTNESS	+++
OPERATES WITHOUT FAN	✓
OVERHEATING INDICATOR	✓
COMPENSATION AIR	✓

### PERFORMANCE

NOMINAL OUTPUT	17 kW
RANGE OF USAGE	7 - 19 kW
EFFICIENCY	80%
CO EMISSIONS	0,09%
FINE PARTICLE EMISSIONS	17 mg/Nm <sup>3</sup>
WOOD CONSUMPTION RANGE	2,2 - 5,9 kg/h
MINIMUM DRAW	12 Pa
SMOKE MASS FLOW	14,6 g/s
AVERAGE TEMP. OF SMOKE	283°C
CONSUMPTION OF ROOM AIR FOR COMBUSTION	40 m <sup>3</sup> /h
ENERGY EFFICIENCY INDEX (EEI)	107
ENERGY EFFICIENCY CLASS	A+

### MINIMUM THICKNESS OF INSULATION BETWEEN STOVE AND COMBUSTIBLE MATERIALS

BACK FACE	-
SIDE FACE	8 cm
TOP FACE	14 cm
BOTTOM FACE	0 cm

### ACCESSORIES / EQUIPMENT

HEAT ACCUMULATION	X
CUPBOARDS	X
BARBECUE	○
ASH PAN	X
FAÇADE	○
OPEN FIRE	○
GROUND PLATE	X
READY-TO-FIT	X
LOG RACK	○
ROTATING	X
BASE	X
FAN	X
RETRACTABLE GLASS	✓

### LEGEND

✓	STANDARD
X	UNAVAILABLE
○	OPTIONAL

Conforms with:  
 - OPair (CH) - BlmSchV2 (DE)  
 - BE Phase 3 - ECODESIGN 2022



## 22/110 DF | The stove

### enjoyment of the fire

the fire is fully and equally visible in open and closed modes

precision control of combustion, wide range of usage, high efficiency

extremely air-tight system

### architectural integration

making the finish easier, the frames enable masonry to be concealed and the wall to be protected from radiation and dirt

### easy to use and maintain

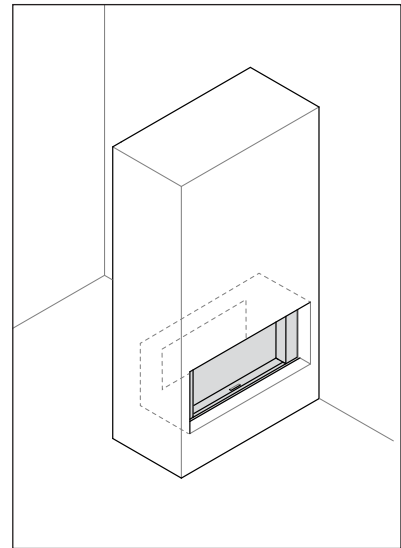
easy to use in open fire mode thanks to air valve and integrated system for managing compensation air

easy installation: a single core hole for direct air inlet and compensation air

simple cleaning and maintenance

### patents

EP 1445541



## TECHNICAL OVERVIEW

### GENERAL

TYPE OF STOVE	fitted
MATERIALS	steel + cast iron + refractory bricks
COLOUR	Dark Grey
LOADING	manual
FUEL	wood
LOG POSITION	horizontal
LOG LENGTH	80 cm

### WEIGHT / SIZE

WEIGHT	314 kg
Ø OF SMOKE FLUE	250mm
Ø OF HOT AIR OUTLETS	150mm
Ø OF OUTSIDE AIR INLET	100/160mm

### AIR

DIRECT EXTERNAL INLET	✓
PRIMARY AIR CONTROL	✓
SECONDARY AIR CONTROL	✓
POST-COMBUSTION	✓
AIR-TIGHTNESS	+++
OPERATES WITHOUT FAN	✓
OVERHEATING INDICATOR	✓
COMPENSATION AIR	✓

### PERFORMANCE

NOMINAL OUTPUT	20 kW
RANGE OF USAGE	8-23 kW
EFFICIENCY	77%
CO EMISSIONS	0,08%
FINE PARTICLE EMISSIONS	25 mg/Nm <sup>3</sup>
WOOD CONSUMPTION RANGE	2,5-7,1 kg/h
MINIMUM DRAW	12 Pa
SMOKE MASS FLOW	20,3 g/s
AVERAGE TEMP. OF SMOKE	317°C
CONSUMPTION OF ROOM AIR FOR COMBUSTION	51 m <sup>3</sup> /h
ENERGY EFFICIENCY INDEX (EEI)	102
ENERGY EFFICIENCY CLASS	A

### MINIMUM THICKNESS OF INSULATION BETWEEN STOVE AND COMBUSTIBLE MATERIALS

BACK FACE	-
SIDE FACE	0 cm / Non combustible materials
TOP FACE	10 cm
BOTTOM FACE	10 cm

### ACCESSORIES / EQUIPMENT

HEAT ACCUMULATION	X
CUPBOARDS	X
BARBECUE	○
ASH PAN	X
FAÇADE	○
OPEN FIRE	○
GROUND PLATE	X
READY-TO-FIT	X
LOG RACK	○
ROTATING	X
BASE	X
FAN	X
RETRACTABLE GLASS	✓

### LEGEND

✓	STANDARD
X	UNAVAILABLE
○	OPTIONAL

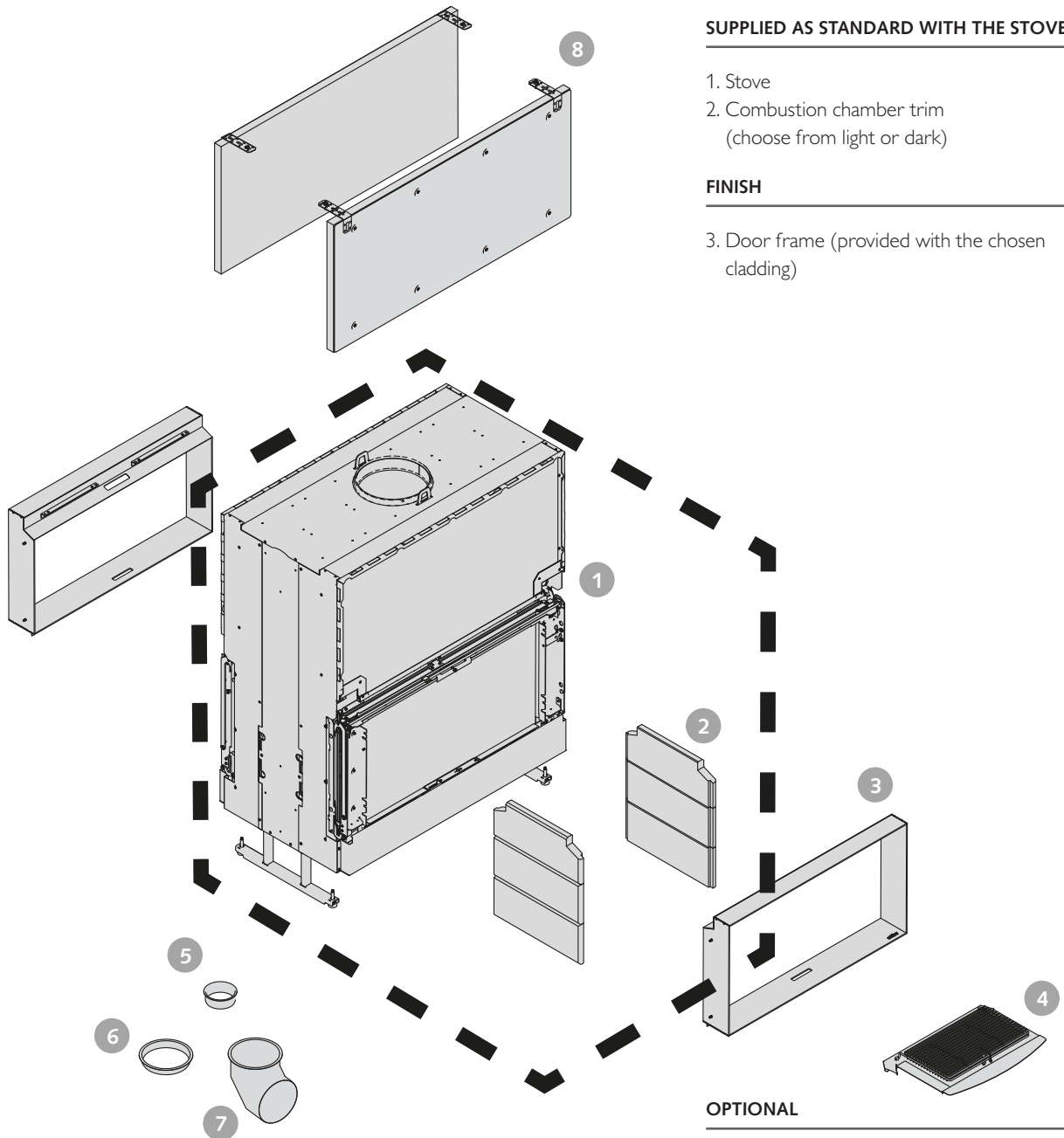
Conforms with:  
 - OPair (CH) - BlmSchV2 (DE)  
 - BE Phase 3 - ECODESIGN 2022



in accordance with

## Stûv 22 DF | The stove

## THE BASIC STOVE AND ITS OPTIONAL EXTRAS



## SUPPLIED AS STANDARD WITH THE STOVE

1. Stove
2. Combustion chamber trim  
(choose from light or dark)

## FINISH

3. Door frame (provided with the chosen cladding)

## OPTIONAL

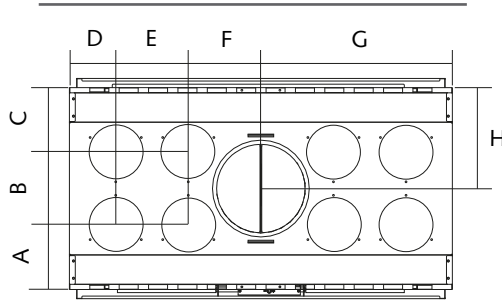
4. Barbecue kit
5. Nozzle  $\varnothing 100\text{mm}$  for external air inlet  
(provided with flexible tube)
6. Nozzle  $\varnothing 160\text{mm}$  for external air inlet +  
make-up air (provided with flexible tube)
7. Nozzle and bend  $\varnothing 160\text{mm}$  for external  
air inlet + make-up air
8. Front insulation kit

# Stûv 22 DF | The stove

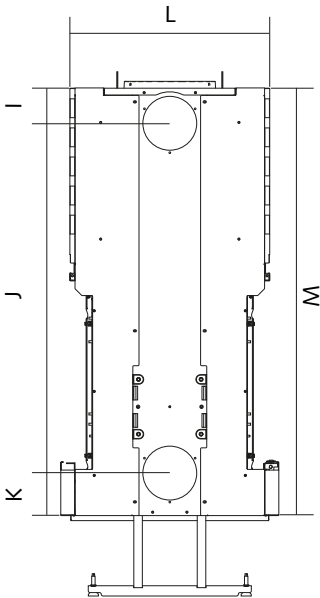


## DEVICE DIMENSIONS WITHOUT DOOR OR FINISH

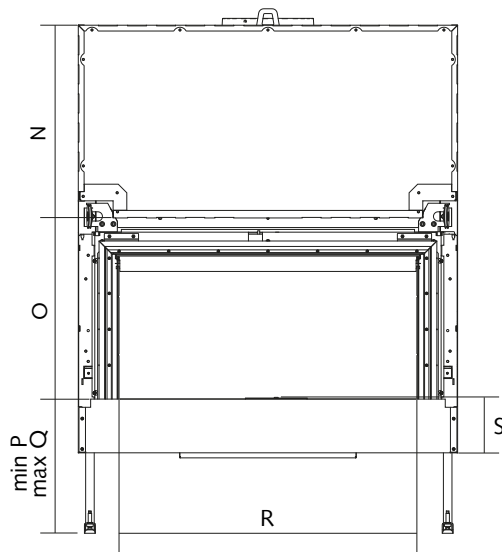
VIEW FROM ABOVE



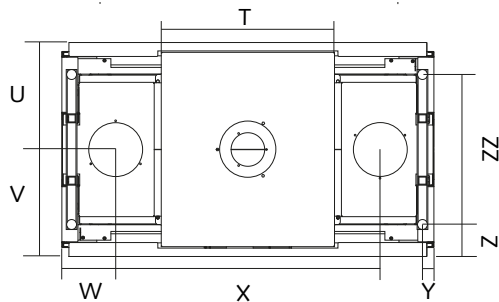
SIDE VIEW



FRONT VIEW



VIEW FROM BELOW



DIM.  
(MM)

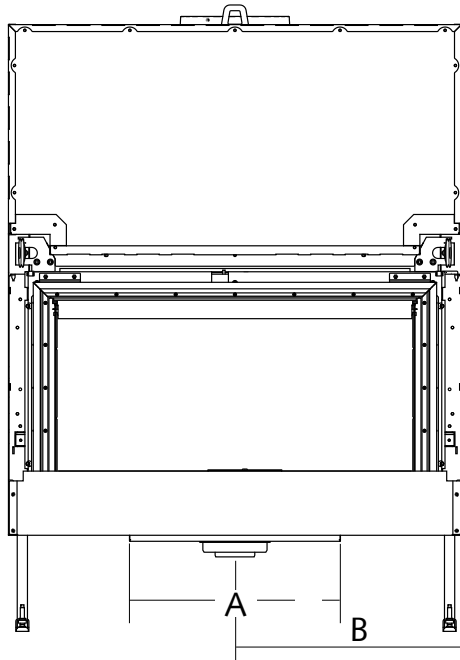
	A	B	C	D	E	F	G	H	I	J	K	L	M	N	O	P	Q	R	S	T	U	V	W	X	Y	Z	ZZ
22/90	187	210	187	204	-	250	454	292	104	1121	125	584	1350	563	630	220	600	670	165	516	319	319	89	727	29	95	447
22/110	187	210	187	134	210	210	554	292	104	1021	125	584	1250	563	530	220	600	870	165	516	319	319	160	787	29	95	447

# Stûv 22 DF | The stove

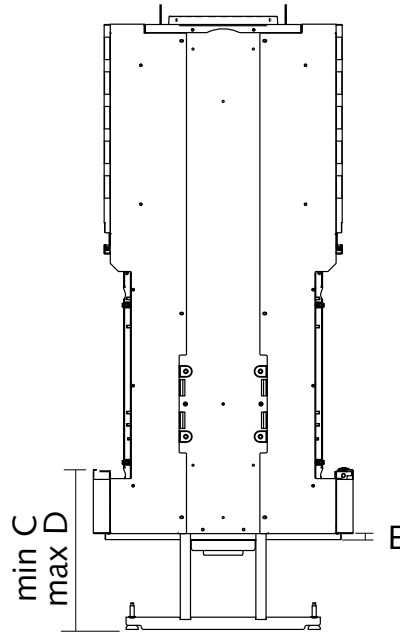


## DIMENSIONS OF THE AIR BOX VERTICALLY WITH A NOZZLE OF Ø 100 MM OF Ø160 MM

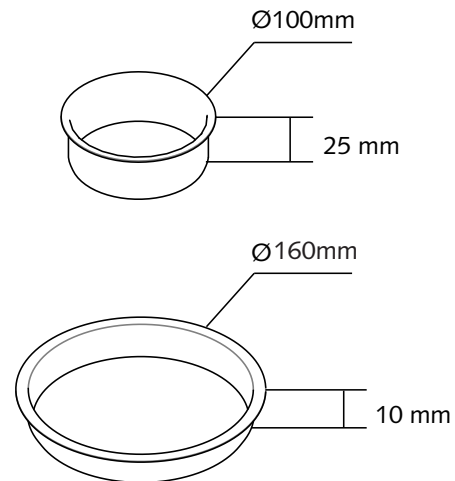
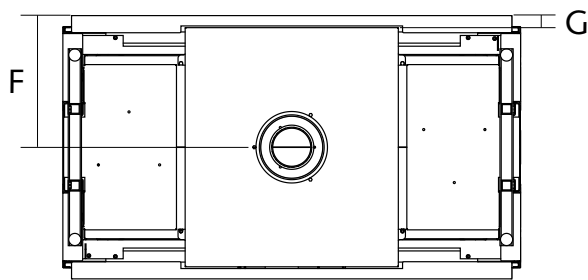
FRONT VIEW



SIDE VIEW



VIEW FROM BELOW



DIMENSIONS (EN MM)	A	B	C	D	E	F	G
STÛV 22/90	516	454	220	600	15	319	29
STÛV 22/110	516	554	220	600	15	319	29

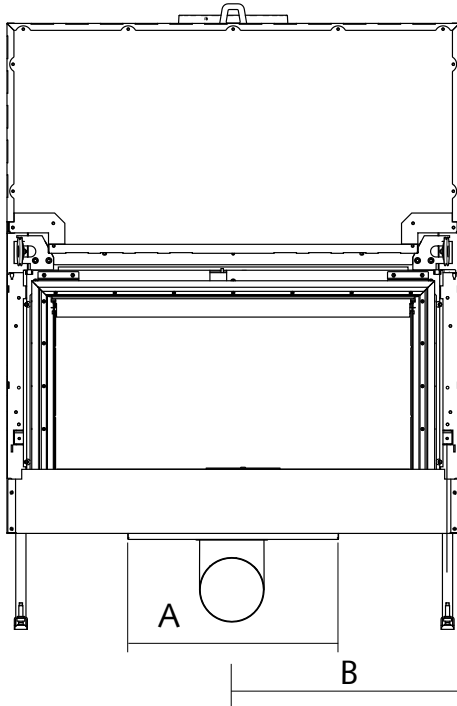


# Stûv 22 DF | The stove

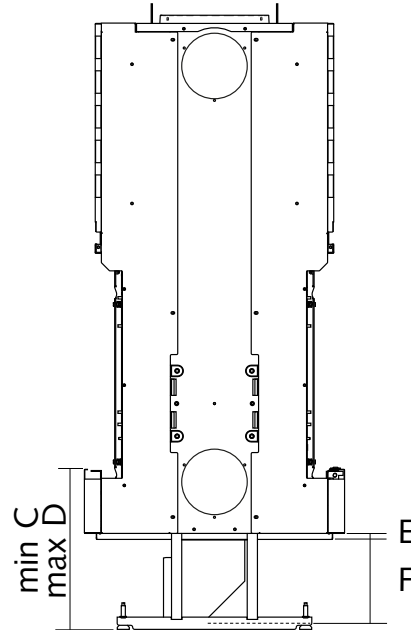


## DIMENSIONS OF THE AIR BOX HORIZONTALLY WITH A Ø160MM BEND

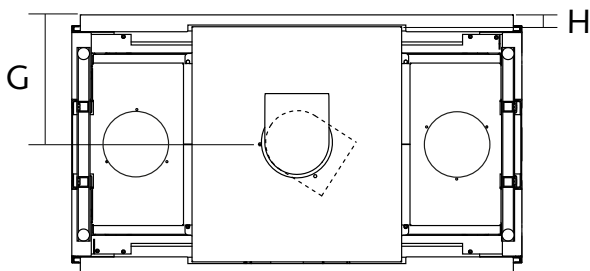
FRONT VIEW



SIDE VIEW



VIEW FROM BELOW



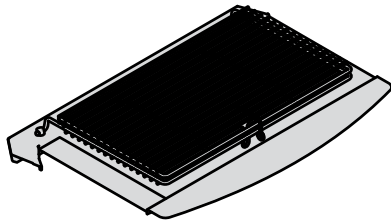
**DIMENSIONI (IN MM)**

	A	B	C	D	E	F	G	H
STÛV 22/90	516	454	400	600	15	200	319	29
STÛV 22/110	516	554	400	600	15	200	319	29

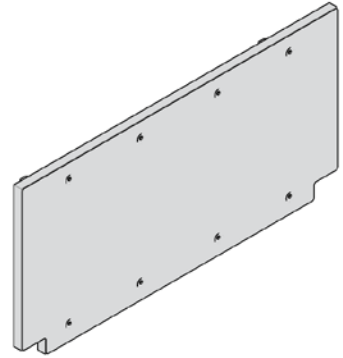
# Stûv 22 DF | Accessories



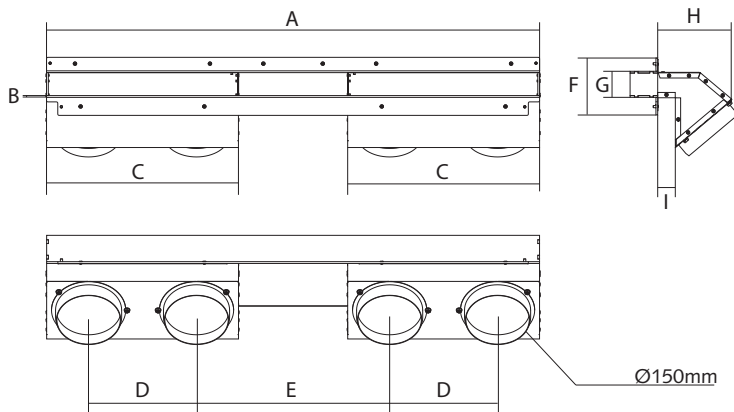
## BARBECUE



## INSULATION KIT FRONT FACE



## HOT AIR OUTLETS



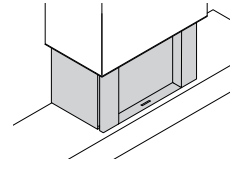
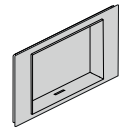
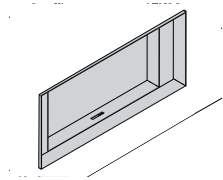
### DIMENSIONS (IN MM)

	A	B	C	D	E	F	G	H	I
STÜV 22/90	895	4	425	240	230	130	60	170	40
STÜV 22/110	1095	4	425	240	430	130	60	170	40

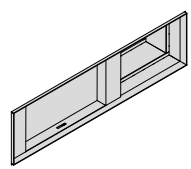
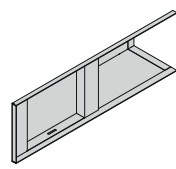
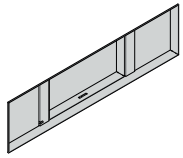
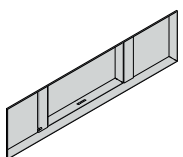
# Stûv 22 | Claddings



## FRAMES

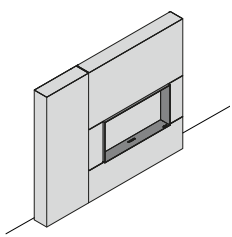
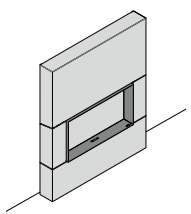
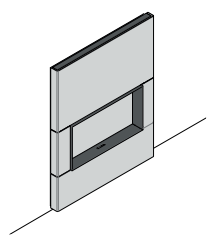


	S4	A4	C2
22/70 SF	✓	✓	✓
22/90 SF	✓	✓	✓
22/110 SF	✓	✓	✓
22/90 DF	✓	✓	-
22/110 DF	✓	✓	-



	L4	L4 SUPPORT FRAME TO BE COATED	D3	D4
22/70 SF	-	-	✓	✓
22/90 SF	✓	✓	✓	✓
22/110 SF	✓	✓	✓	✓
22/90 DF	✓	✓	-	✓
22/110 DF	✓	✓	-	✓

## FRONT PANELS

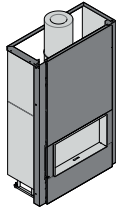


	DS	SF1	SF2
22/70 SF	✓	-	-
22/90 SF	✓	✓	✓
22/110 SF	✓	✓	✓
22/90 DF	✓	-	-
22/110 DF	✓	-	-

# Stûv 22 | Claddings



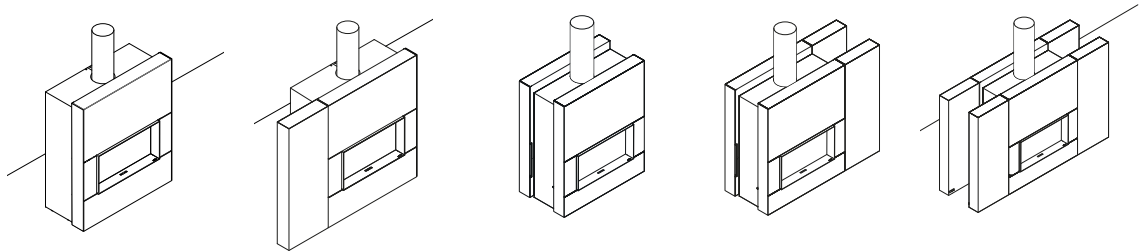
## STRUCTURE



### STRUCTURE

22/70 SF	✓
22/90 SF	✓
22/110 SF	✓
22/90 DF	✓
22/110 DF	✓

## READY-TO-FIT FIREPLACE



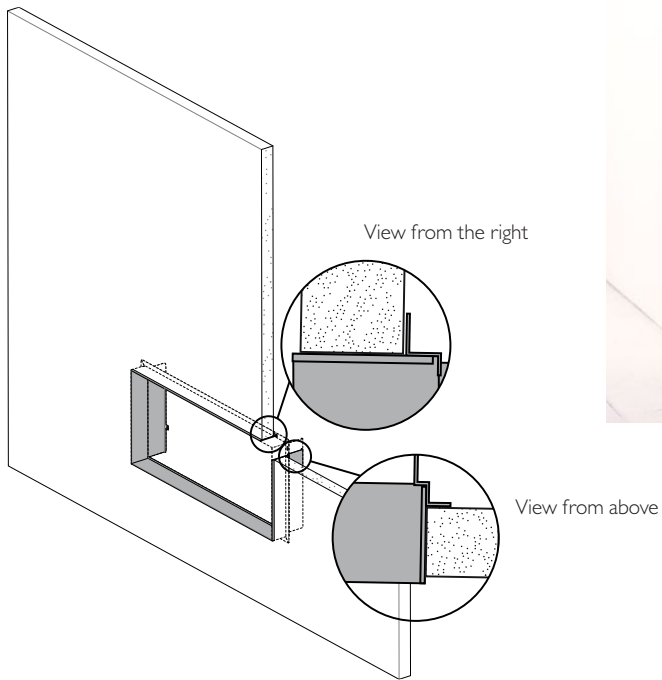
	SF1	SF2	DF1	DF2	DF7
22/70 SF	-	-	-	-	-
22/90 SF	✓	✓	-	-	-
22/110 SF	✓	✓	-	-	-
22/90 DF	-	-	✓	✓	✓
22/110 DF	-	-	✓	✓	✓

# Stûv 22 | S4 frame\*

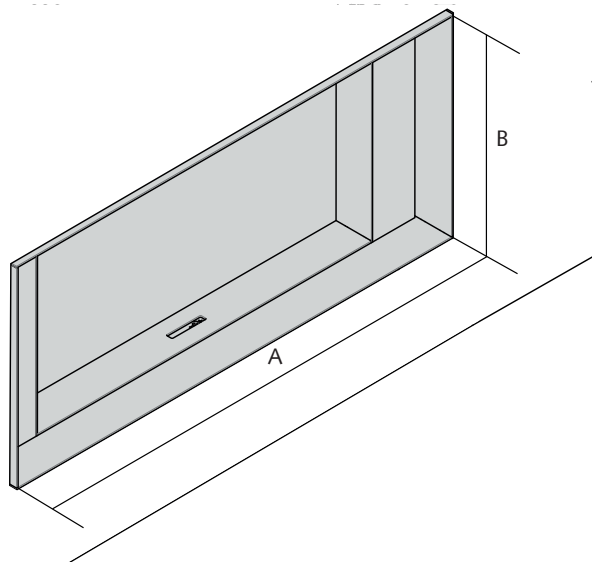


\* in Dark Grey steel

## COVERING OF S4 FRAME



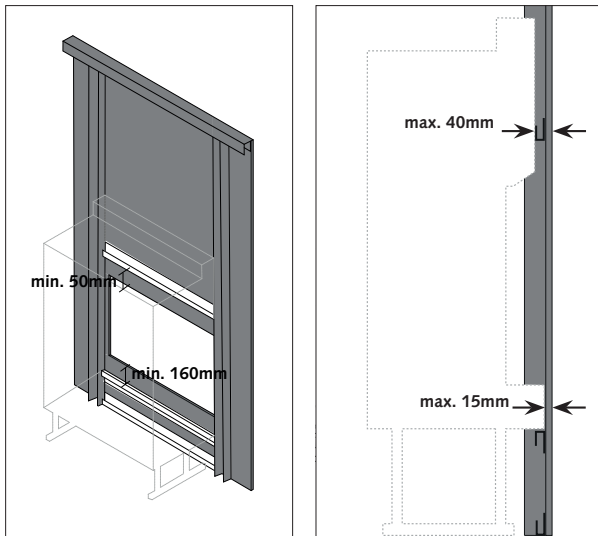
DIMENSIONS (IN MM)	A	B
STÛV 22/70	735	675
STÛV 22/90	935	605
STÛV 22/110	1135	505



## Stûv 22 | A4 frame\*

STÛV

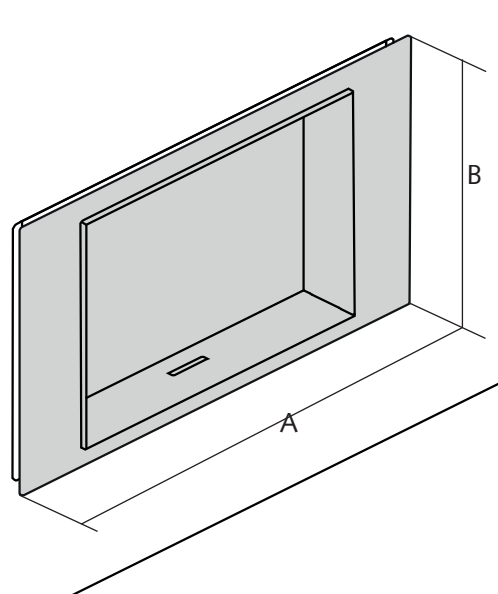
\* Available in glass lacquered in matte black, matte mocha, brilliant white or rusted steel.

**Careful!**

The A4 frame can only be used with thin partitions made of profiles of 27 mm maximum and panels of 15 mm maximum..



DIMENSIONS (IN MM)	A	B
STÛV 22/70	780	749
STÛV 22/90	980	678
STÛV 22/110	1180	578

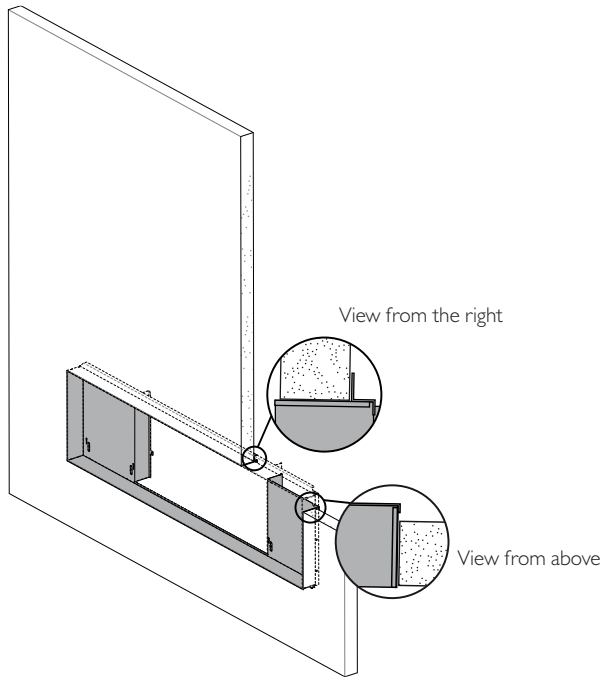


# Stûv 22 | L4 frame\*

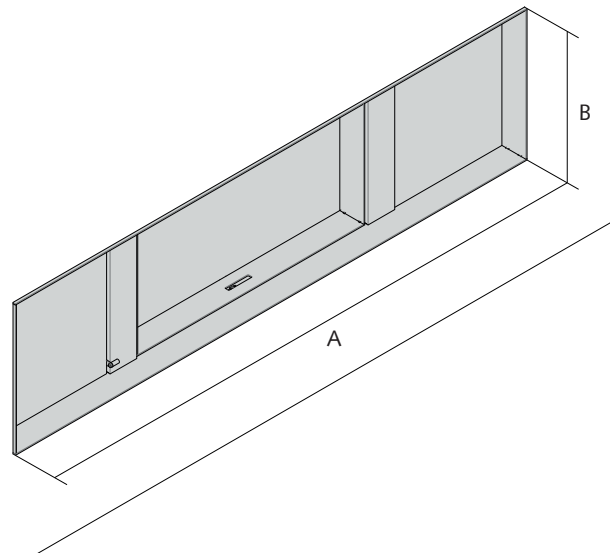


\* in Dark Grey steel, also available in custom-made width

## COVERING OF L4 FRAME



DIMENSIONS (IN MM)	A	B
STÛV 22/70	-	-
STÛV 22/90	1970	605
STÛV 22/110	1970	505

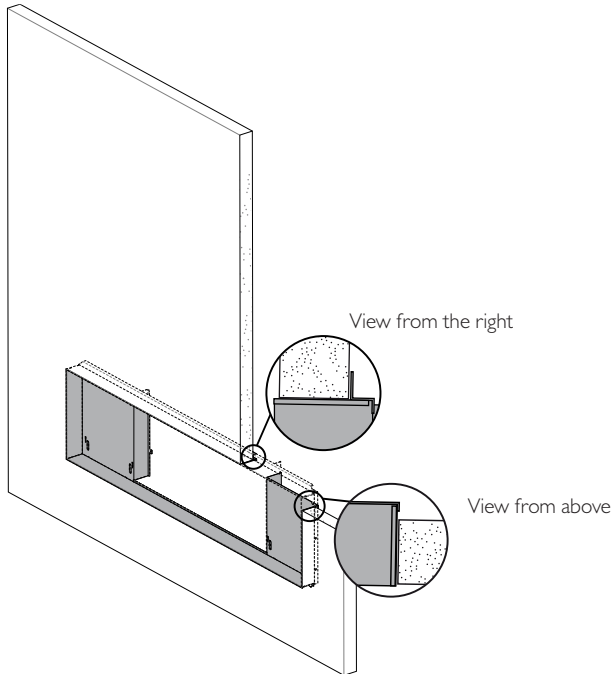


# Stûv 22 | L4 support frame to be coated\*



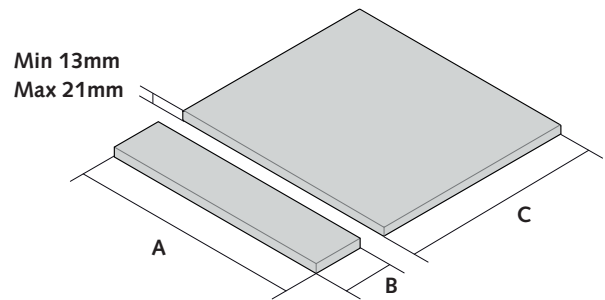
\* in Dark Grey steel, also available in custom-made width

## COVERING OF L4 FRAME TO BE COATED



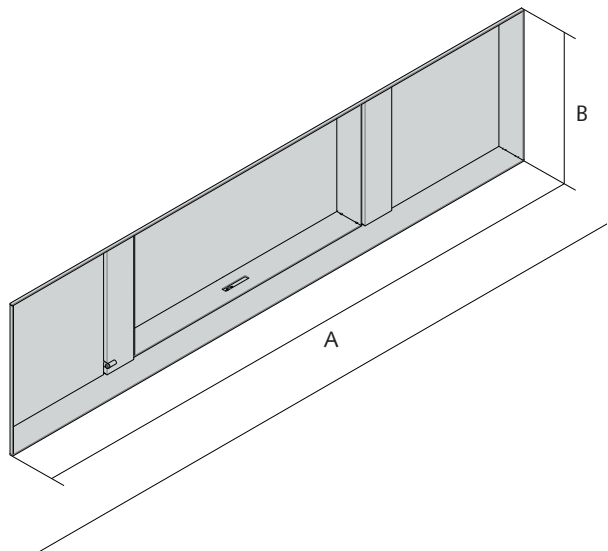
## FINISHING PANELS FOR THE L4 FRAME FOR THE "TO BE TRIMMED" VERSION

DIMENSIONS (IN MM)	A	B	C
STÛV 22/70	-	-	-
STÛV 22/90	571	101	514
STÛV 22/110	471	101	414



## L4 FRAME

DIMENSIONS (IN MM)	A	B
STÛV 22/70	-	-
STÛV 22/90	1970	605
STÛV 22/110	1970	505

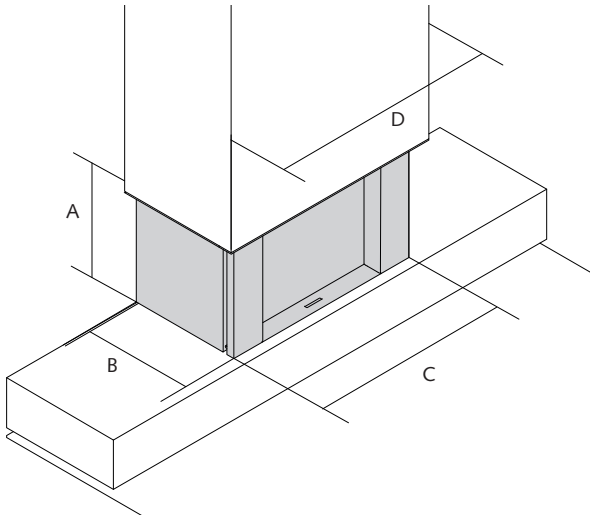




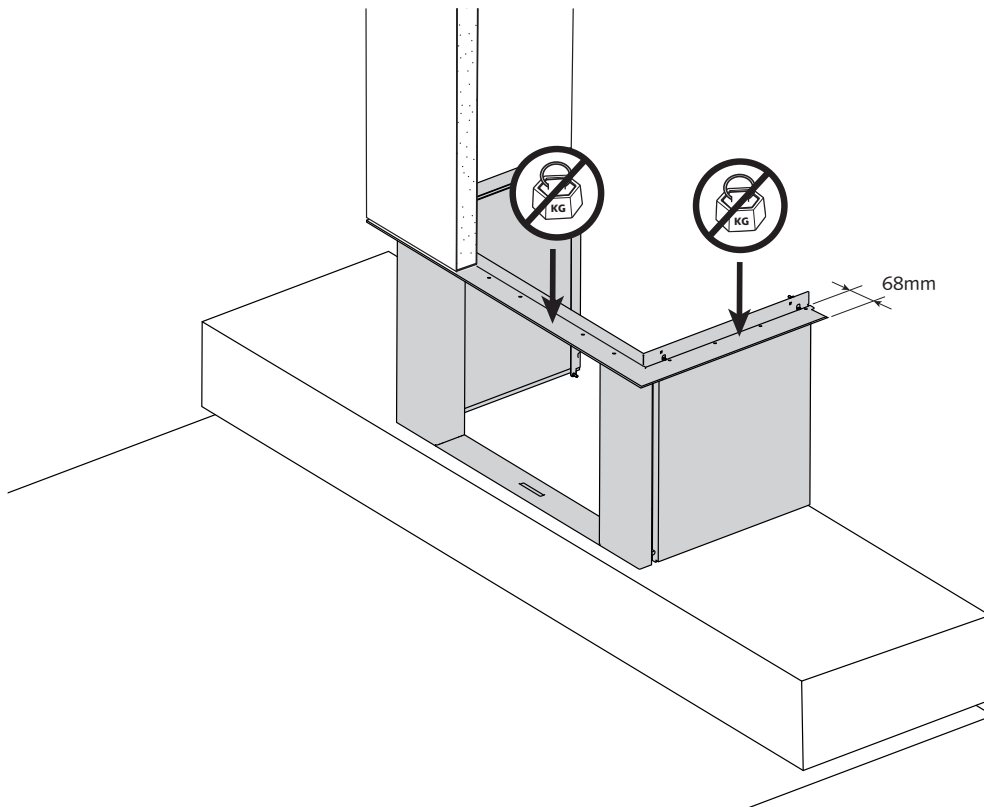
## Stûv 22 | frame C2

stûv

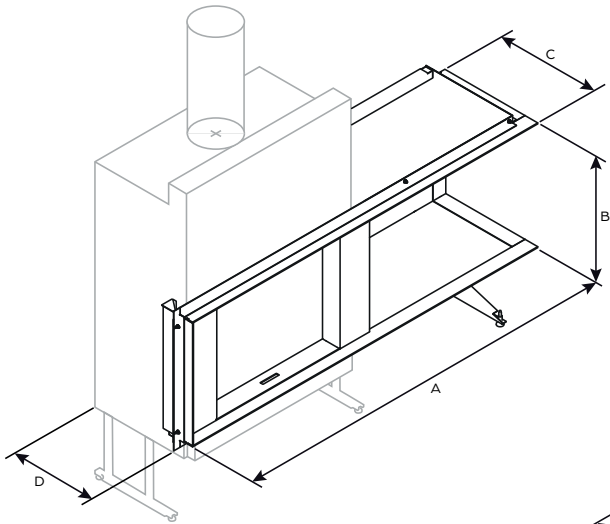
DIMENSIONS (IN MM)	A	B	C	D
STÛV 22/70	685	566	810	940
STÛV 22/90	585	566	1010	1140
STÛV 22/110	485	566	1210	1340



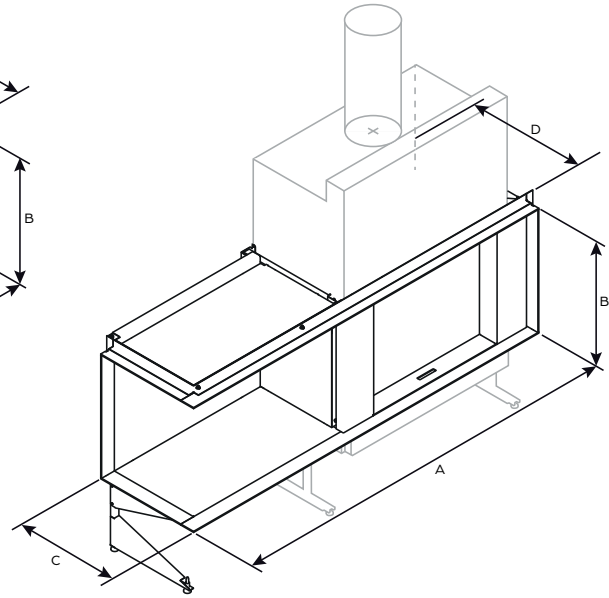
## INSTALLATION PRECAUTIONS



## FRAME D3 FOR STÛV 22 SF



D3 right



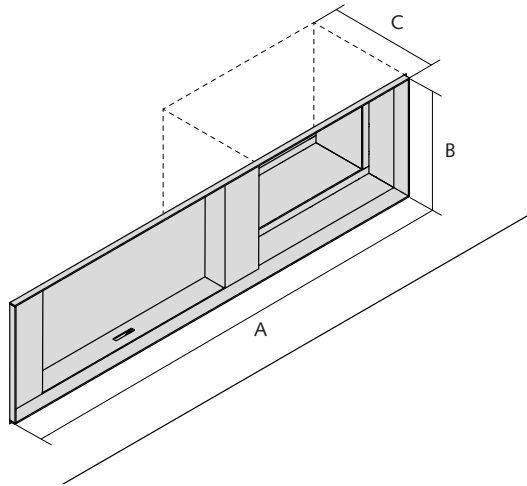
D3 left

DIMENSIONS (IN MM)	A	B	C	D
STÛV 22/70	1700	668	517	535
STÛV 22/90	1900	598	517	535
STÛV 22/110	1900	498	517	535

## Stûv 22 | frame D4

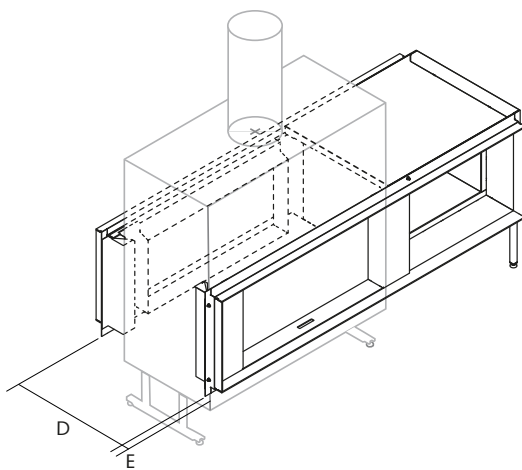
stûv

## FRAME D4 FOR STÛV 22 SF



DIMENSIONS (IN MM)	A	B	C
STÛV 22/70	1700	665	600
STÛV 22/90	1900	595	600
STÛV 22/110	1900	495	600

## FRAME D4 FOR STÛV 22 DF

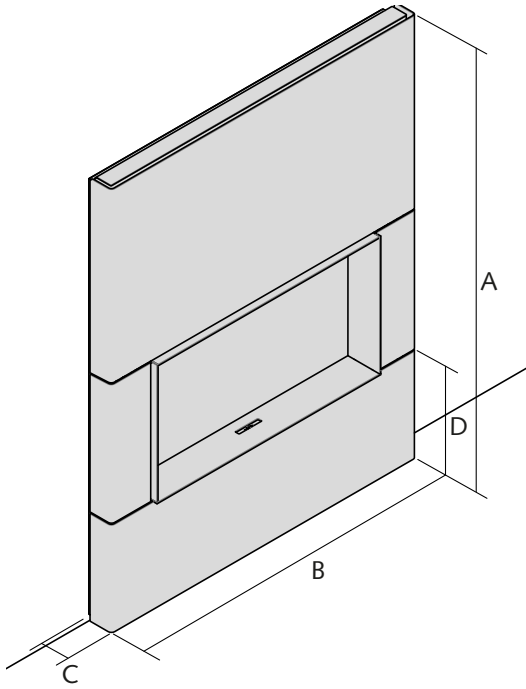


DIMENSIONS (IN MM)	D	E
STÛV 22/90	650	76
STÛV 22/110	650	76



## Stûv 22 | DS façade\* for Stûv 22 SF

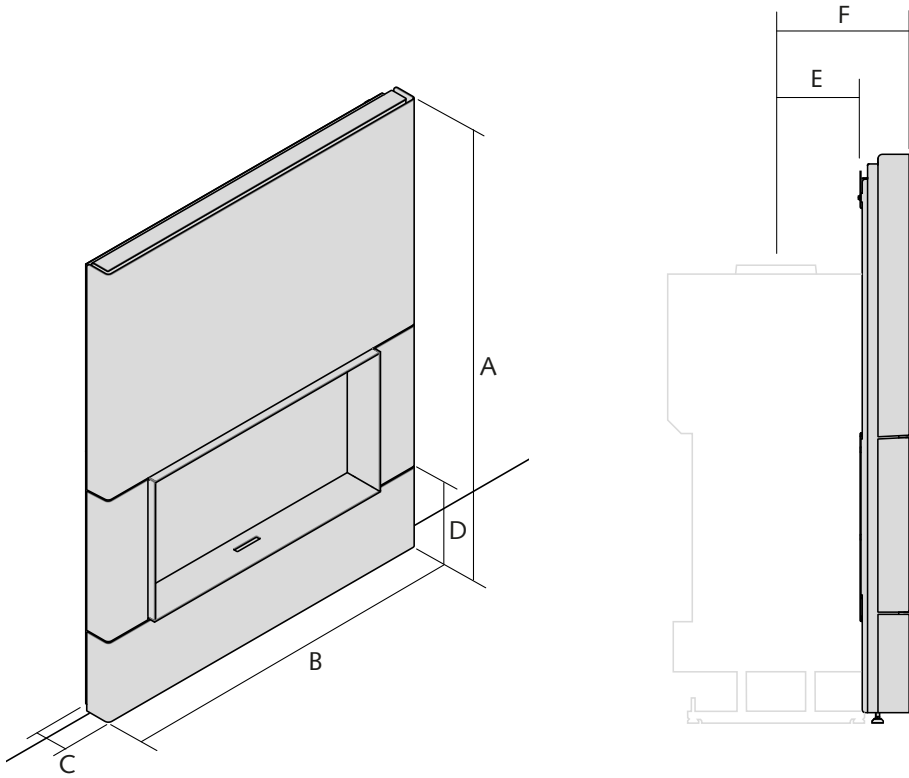
\* Available in different colours: RAL 9010, Concrete Grey, Dark Grey and Rust finish; delivered with a special tool for side panel



DIMENSIONS (IN MM)	A	B	C	D
STÛV 22/70	1770	795	115	400
STÛV 22/90	1630	995	115	400
STÛV 22/110	1530	1195	115	400

## Stûv 22 | DS façade\* for Stûv 22 DF

\* Available in different colours: RAL 9010, Concrete Grey, Dark Grey and Rust finish; delivered with a special tool for side panel



DIMENSIONS (IN MM)	A	B	C	D	E	F
STÛV 22/90	1605	996	130	265	222	354
STÛV 22/110	1505	1196	130	265	222	354

## Stûv 22 | Front panels SF1 &amp; SF2\*

stûv

\* Only available for Stûv 22/90 and Stûv 22/110

**Integration into the architecture**

Partial de-housing of the system

**Facilitated installation**

reduction of finishing work time,

the stove can be lit directly upon project completion,

moveable

**Presentation aid**

In the showroom and at the dealer

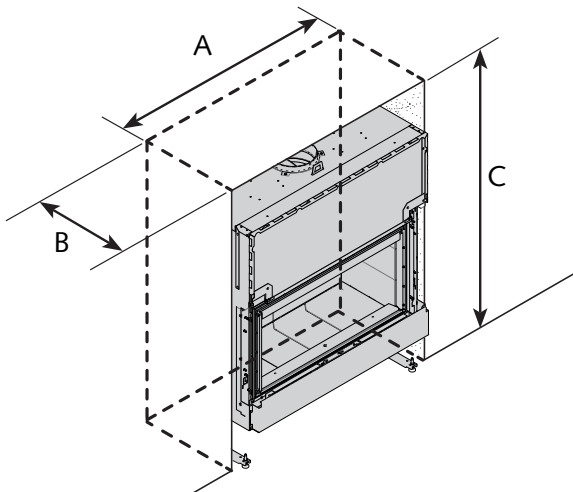
**Various finishing options**

colors available as standard :

RAL 9010, ConcreteGrey, DarkGrey

Rust steel

custom : 19 chromatic shades

**DIMENSIONS OF THE NICHE****DIMENSIONS (MM)**

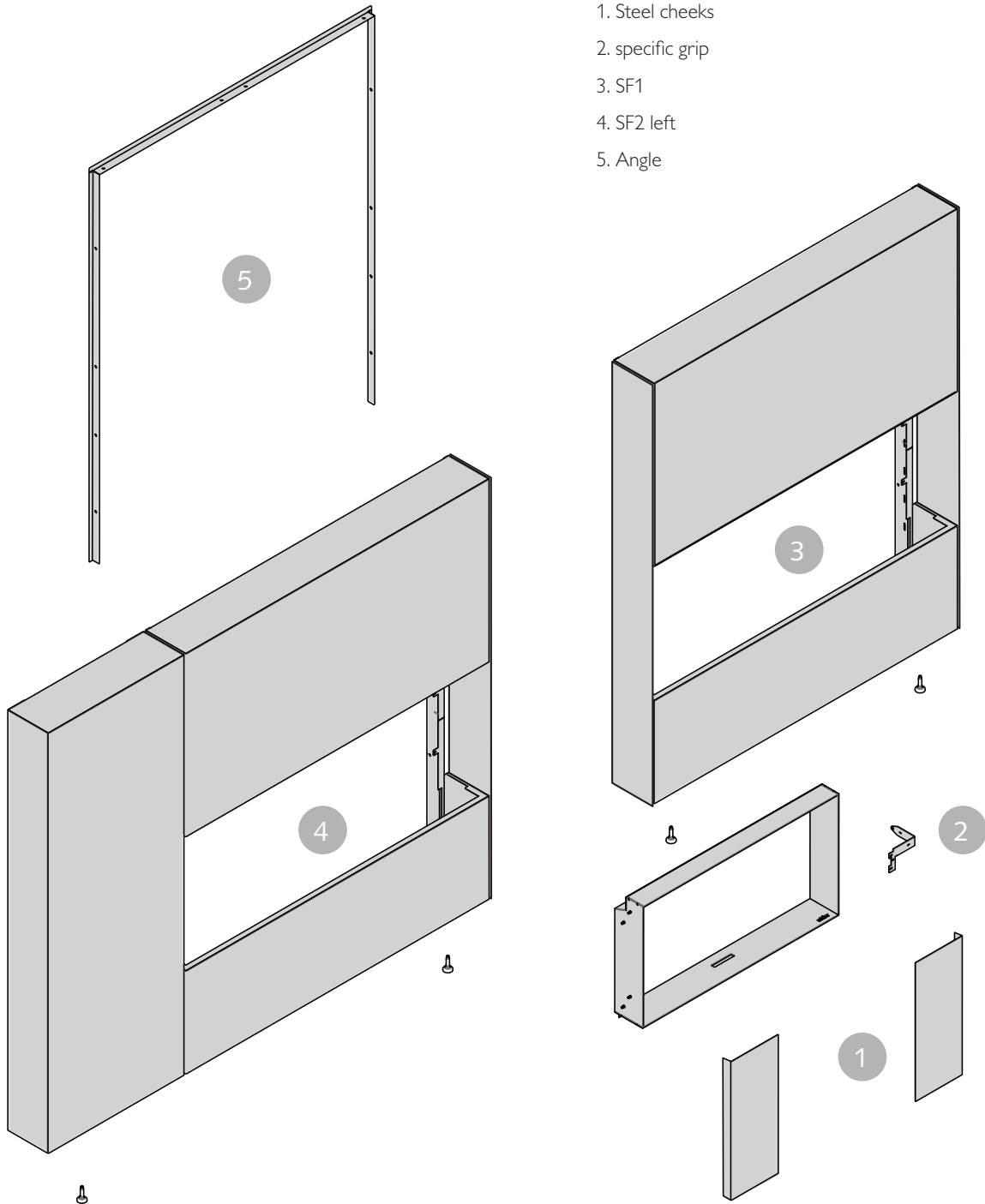
	A	B	C
STÛV 22/70	-	-	-
STÛV 22/90	1250	380	1520
STÛV 22/110	1150	380	1420

Do not forget to plan the hot air outlet

# Stûv 22 | Front panels SF1 & SF2

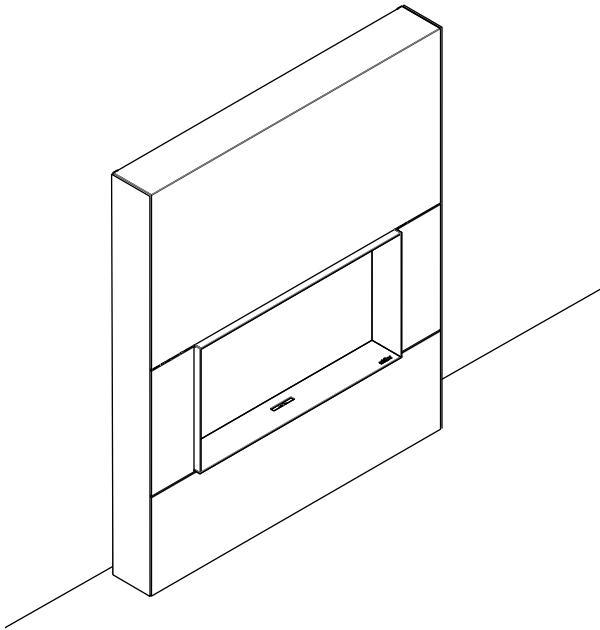


## OVERVIEW

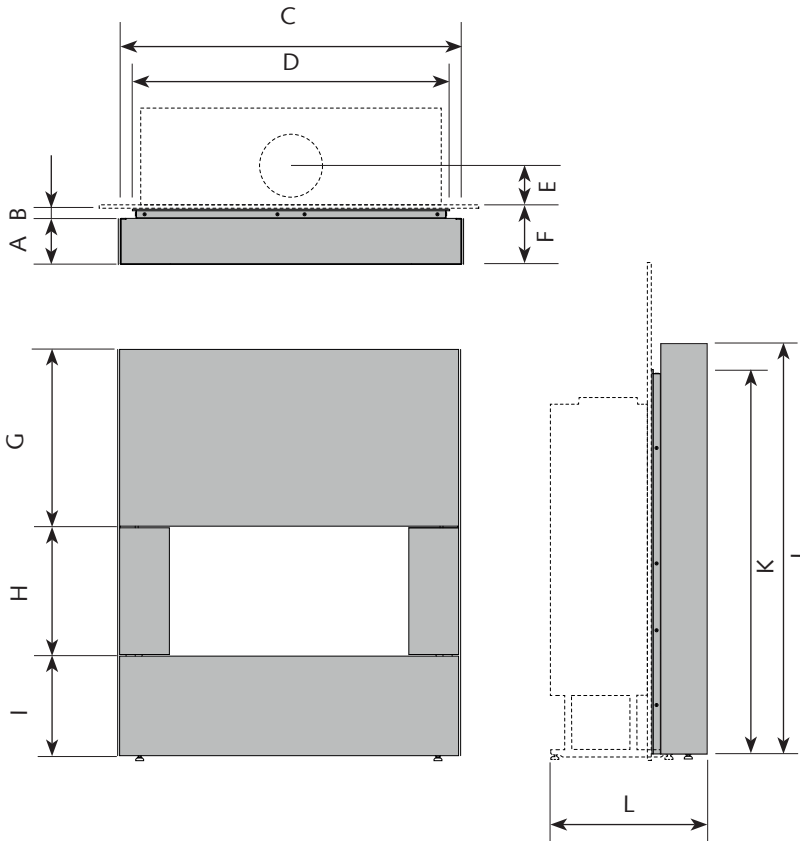


1. Steel cheeks
2. specific grip
3. SF1
4. SF2 left
5. Angle

# Stûv 22 | Front panel SF1



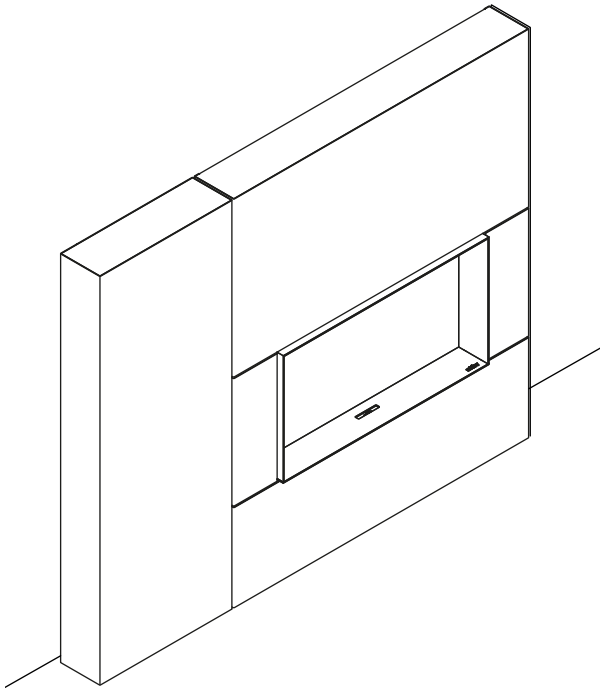
## DIMENSIONS



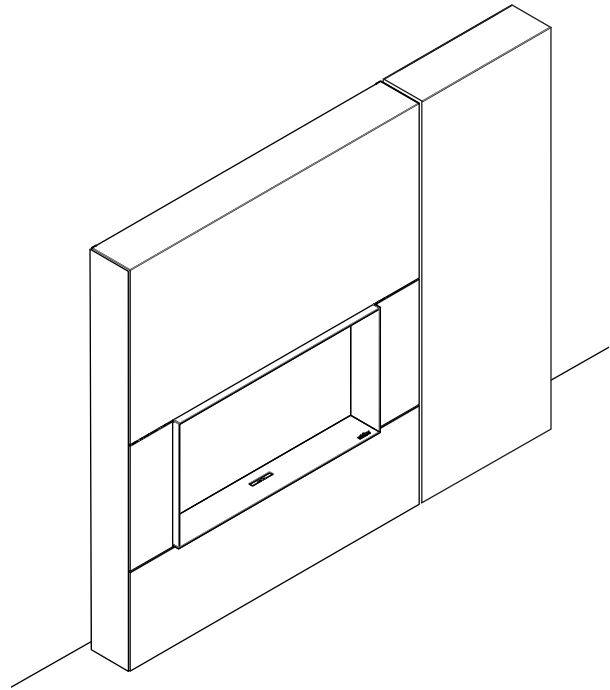
DIMENSIONS (MM)	STÛV 22/90	STÛV 22/110
A	170	170
B	30	30
C	970	1170
D	157	157
E	200	200
F	1004	1204
G	660	660
H	570	470
I	370	370
J	1610	1510
K	1500	1400
L	570	570



# Stûv 22 | Front panel SF2

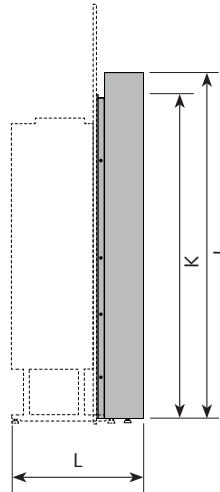
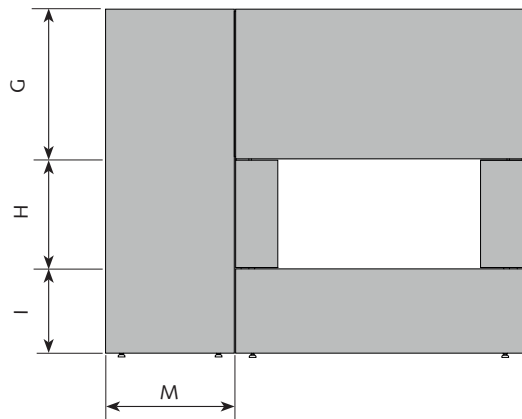
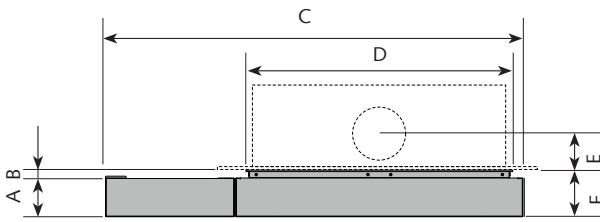


SF2 left



SF2 right

## DIMENSIONS



DIMENSIONS (MM)	STÛV 22/90	STÛV 22/110
A	170	170
B	30	30
C	1637	1837
D	970	1170
E	157	157
F	200	200
G	660	660
H	570	470
I	370	370
J	1610	1510
K	1500	1400
L	570	570
M	600	600

# Stûv 22 | Ready-to-fit fireplaces SF1 & SF2\*

stûv

\* Only available for Stûv 22/90 and Stûv 22/110

## Ease-of-use thanks to the integration of functions

storage and transport of logs (option),  
the ease of a stove with the benefits of a retractable fireplace

## Integration into the architecture

open spatial layout

## Facilitated installation

ideal where there is no niche to fit the stove into the wall,  
reduction of finishing work time,  
the stove can be lit directly upon project completion,  
moveable

## Presentation aid

in the showroom and at the dealer,  
clearly defined look

## Various finishing options

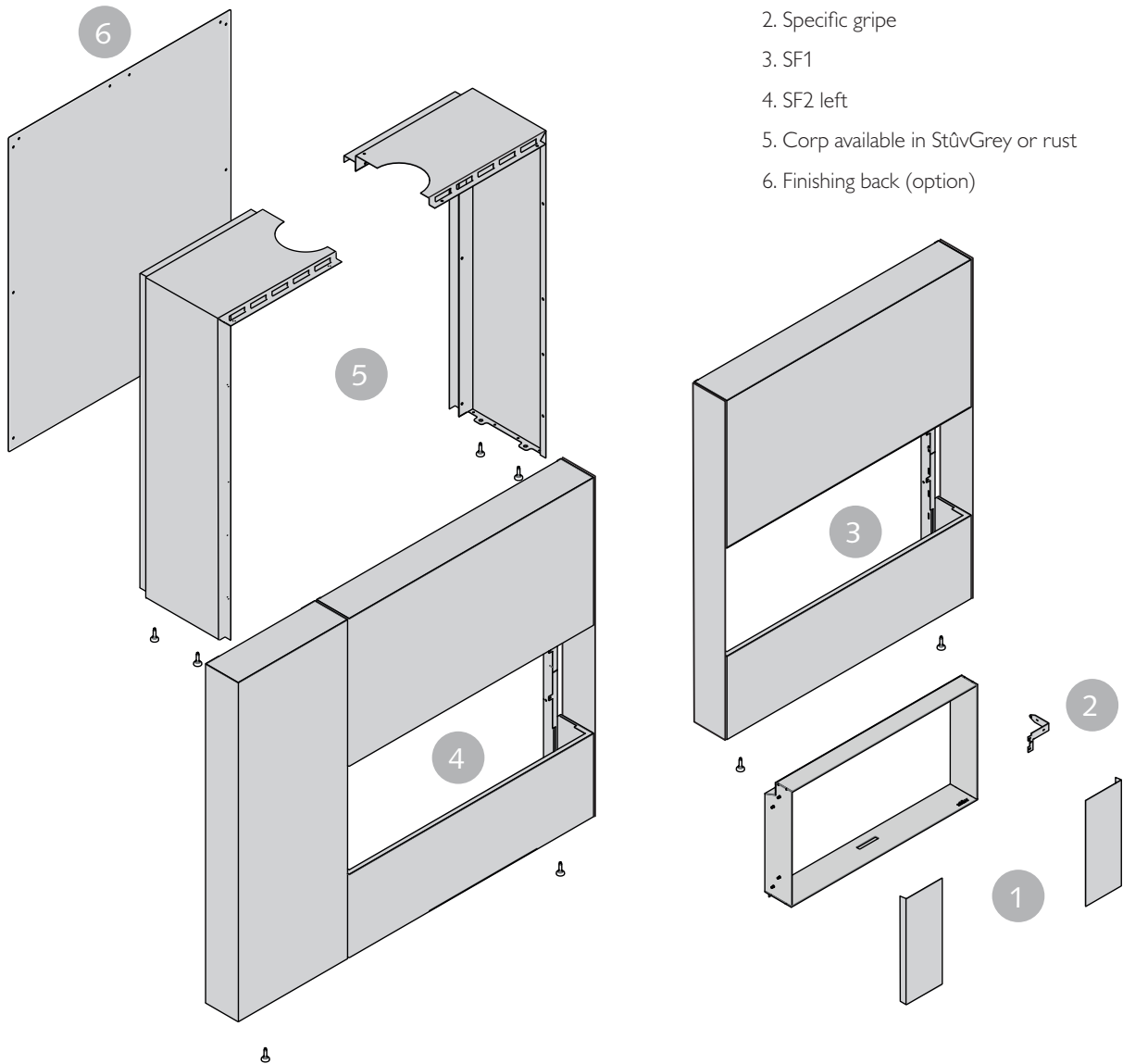
colors available as standard :  
RAL 9010, ConcreteGrey, DarkGrey  
rust steel  
custom : 19 chromatic shades



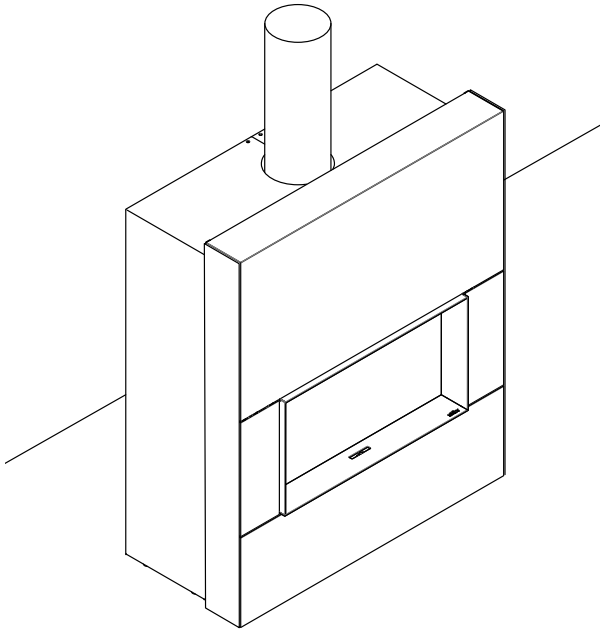
# Stûv 22 | Ready-to-fit fireplaces SF1 & SF2



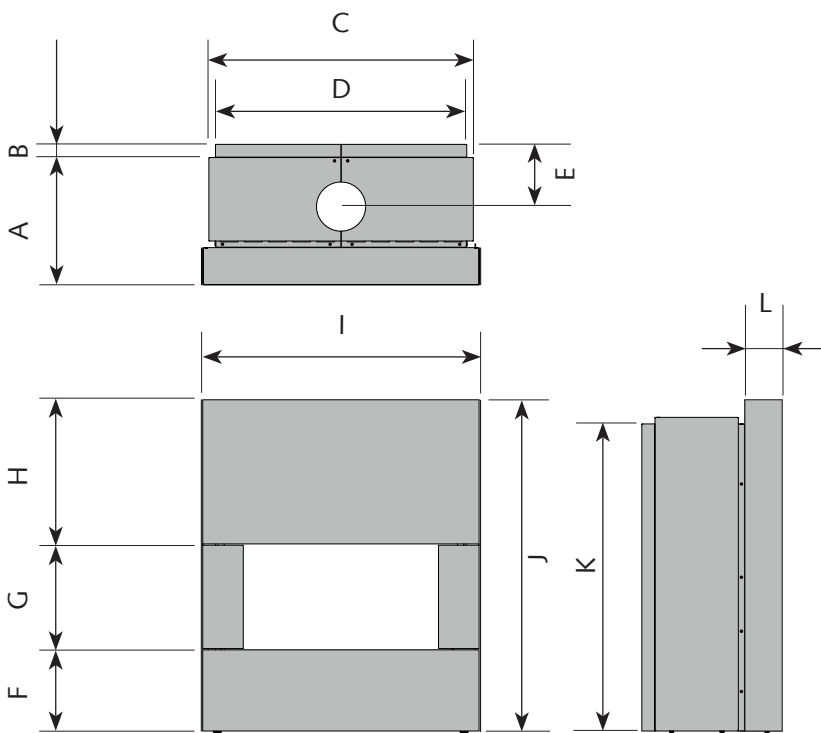
## OVERVIEW



# Stûv 22 | Ready-to-fit fireplace SF1

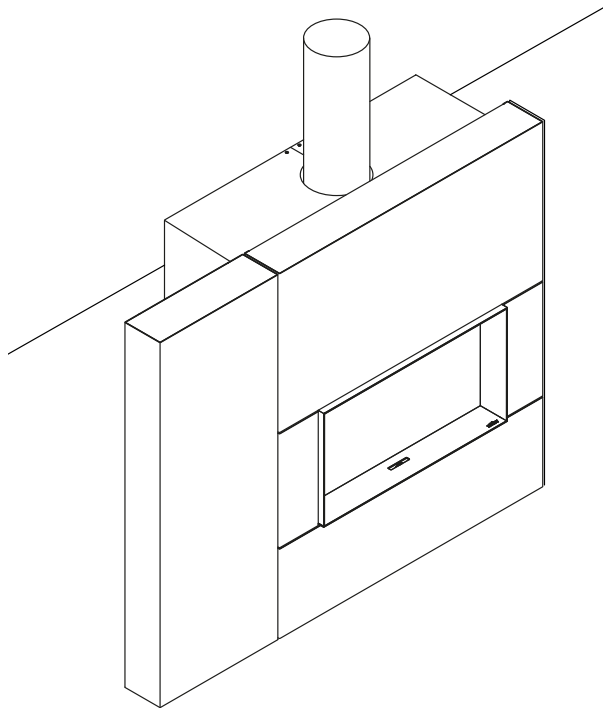


## DIMENSIONS

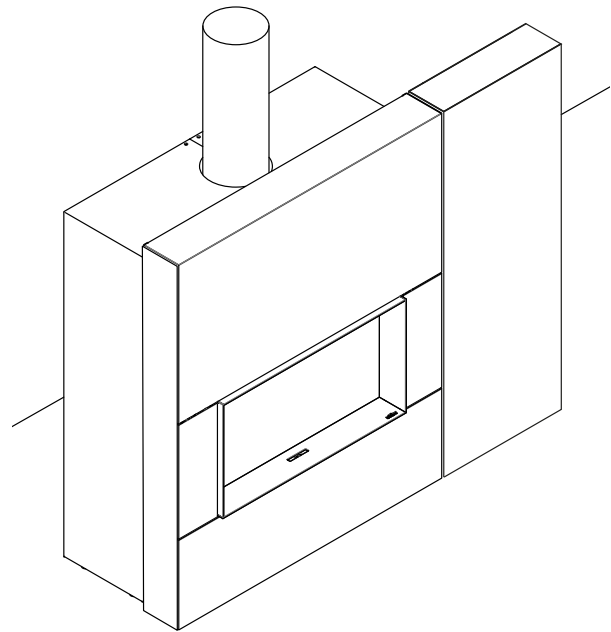


DIMENSIONS (MM)	STÛV 22/90	STÛV 22/110
A	580	580
B	60	60
C	1004	1204
D	944	1144
E	223	223
F	370	370
G	570	470
H	660	660
I	1074	1274
J	1610	1510
K	1495	1395
L	170	170

# Stûv 22 | Ready-to-fit fireplace SF2

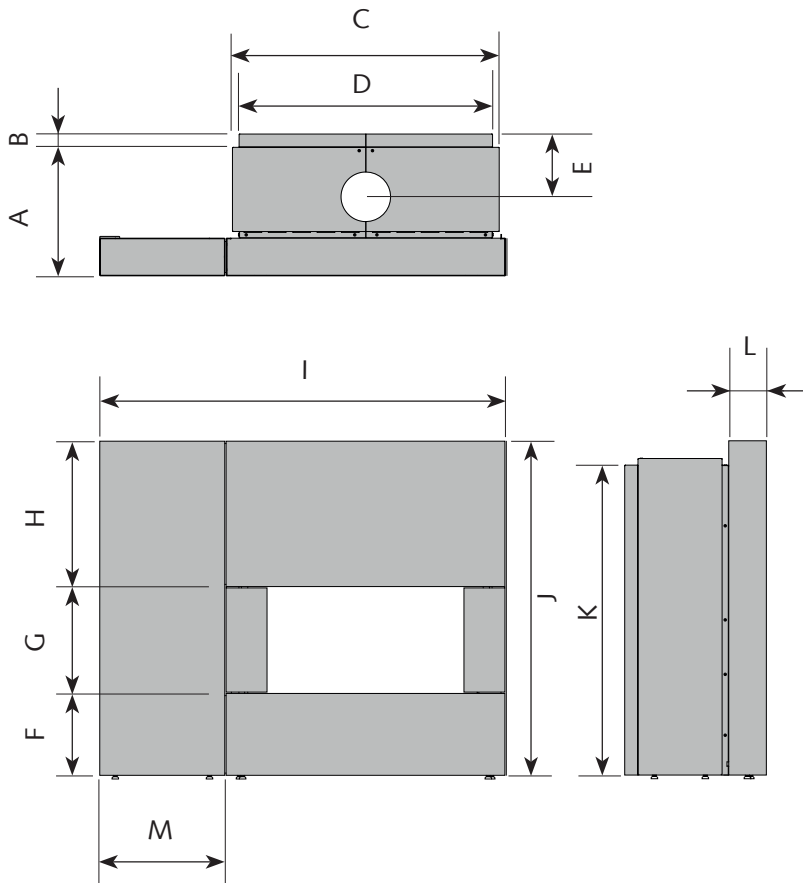


SF2 left



SF2 right

## DIMENSIONS

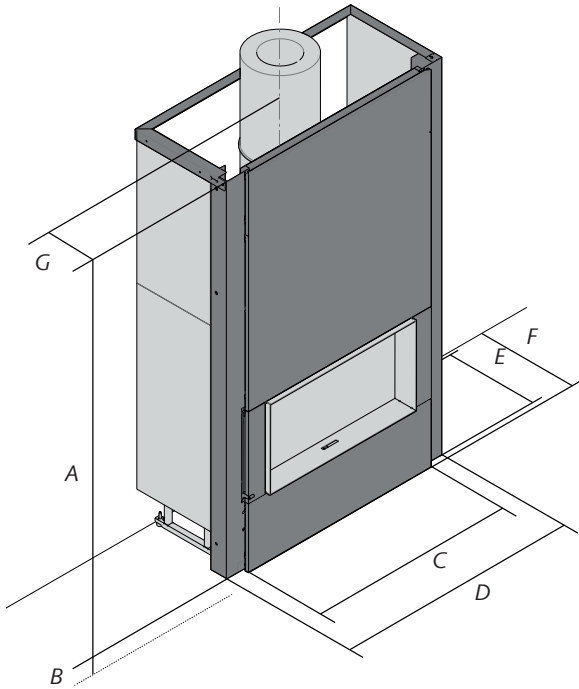


DIMENSIONS (MM)	STÛV 22/90	STÛV 22/110
A	580	580
B	60	60
C	1004	1204
D	944	1144
E	223	223
F	370	370
G	570	470
H	660	660
I	1630	1830
J	1610	1510
K	1495	1395
L	170	170
M	600	600

## Stûv 22 | Structure to coat

stûv

\* delivered with a specific insulation kit ; available in custom-made height



DIMENSIONS (IN MM)	A	B	C	D	E	F	G
STÛV 22/70	2060	40	696	895	540	570	325
STÛV 22/90	2060	40	896	1095	540	570	325
STÛV 22/110	2060	40	1096	1295	540	570	325

\* Only available for Stûv 22/90 DF and Stûv 22/110 DF

**Ease-of-use thanks to the integration of functions**

storage and transport of logs (option),  
the ease of a stove with the benefits of a retractable fireplace

**Integration into the architecture**

open spatial layout

**Facilitated installation**

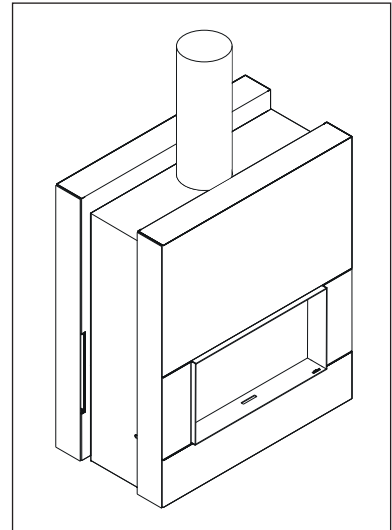
ideal where there is no niche to fit the stove into the wall,  
reduction of finishing work time,  
the stove can be lit directly upon project completion,  
moveable

**Presentation aid**

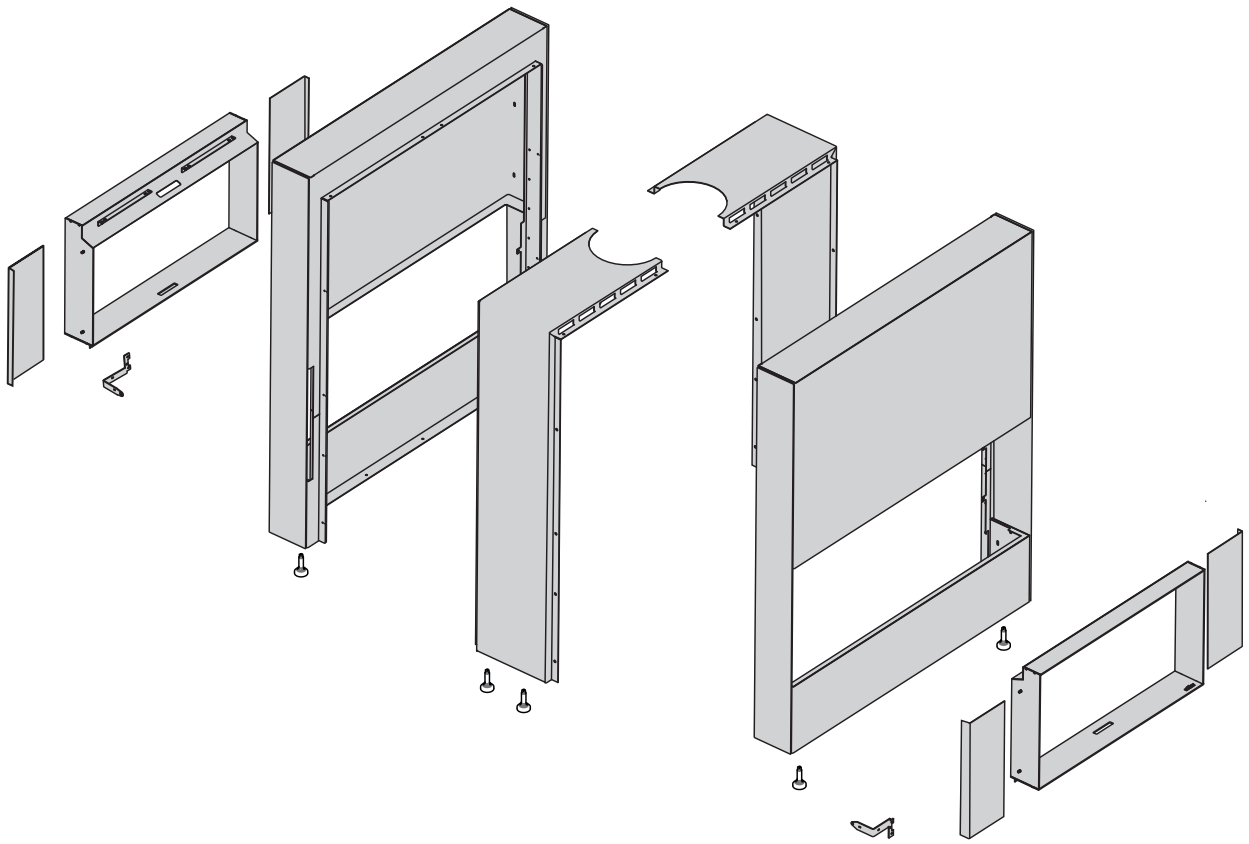
in the showroom and at the dealer,  
clearly defined look

**Various finishing options**

colors available as standard :  
RAL 9010, ConcreteGrey, DarkGrey  
rust steel  
custom : 19 chromatic shades

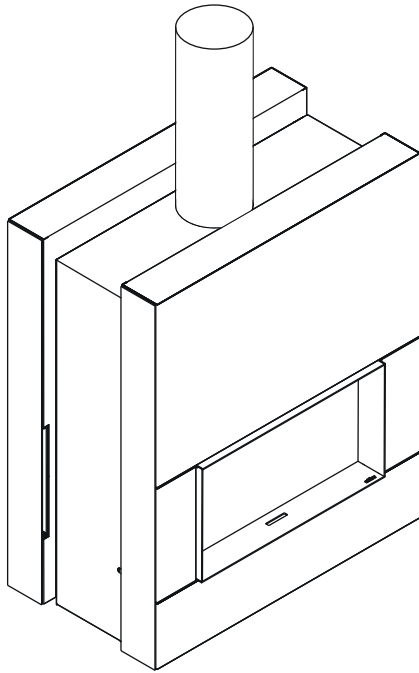


## OVERVIEW

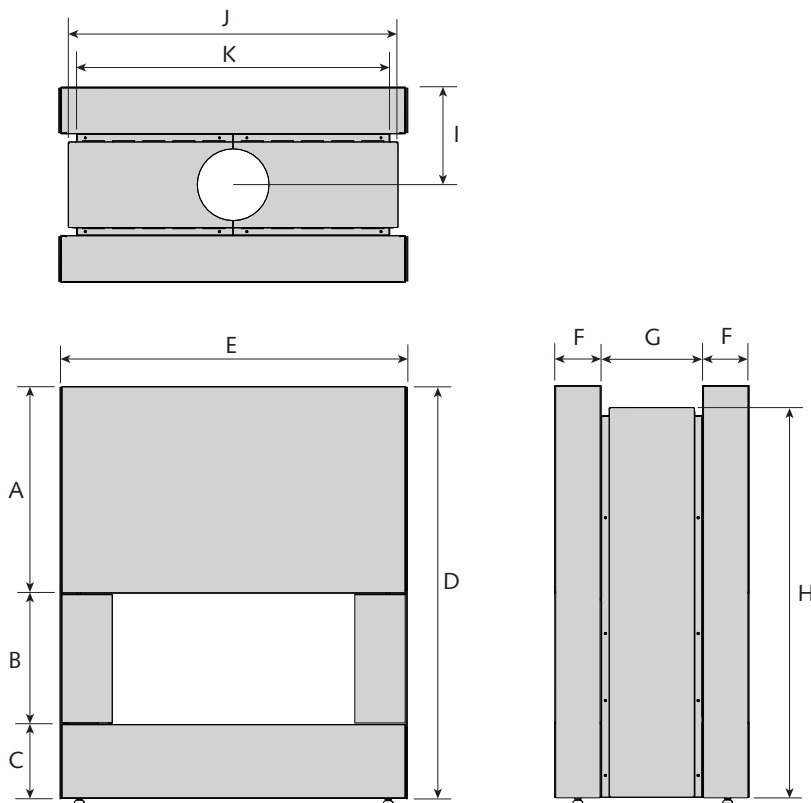




# Stûv 22 | Ready-to-fit fireplace DF1



## DIMENSIONS



DIMENSIONS (MM)	STÛV 22/90	STÛV 22/110
A	757	657
B	571	471
C	270	270
D	1610	1510
E	1060	1260
F	170	170
G	372	372
H	1530	1430
I	356	356
J	1004	1204
K	944	1144

\* Only available for Stûv 22/90 DF and Stûv 22/110 DF

**Ease-of-use thanks to the integration of functions**

storage and transport of logs (option),  
the ease of a stove with the benefits of a retractable fireplace

**Integration into the architecture**

open spatial layout

**Facilitated installation**

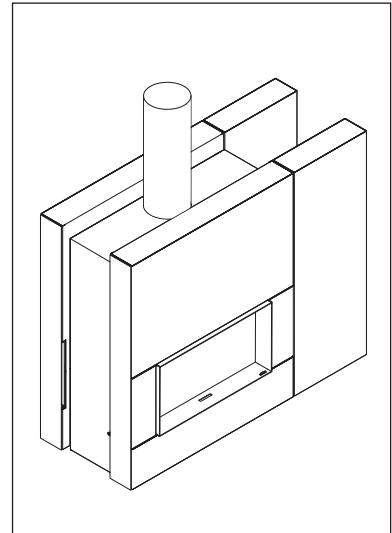
ideal where there is no niche to fit the stove into the wall,  
reduction of finishing work time,  
the stove can be lit directly upon project completion,  
moveable

**Presentation aid**

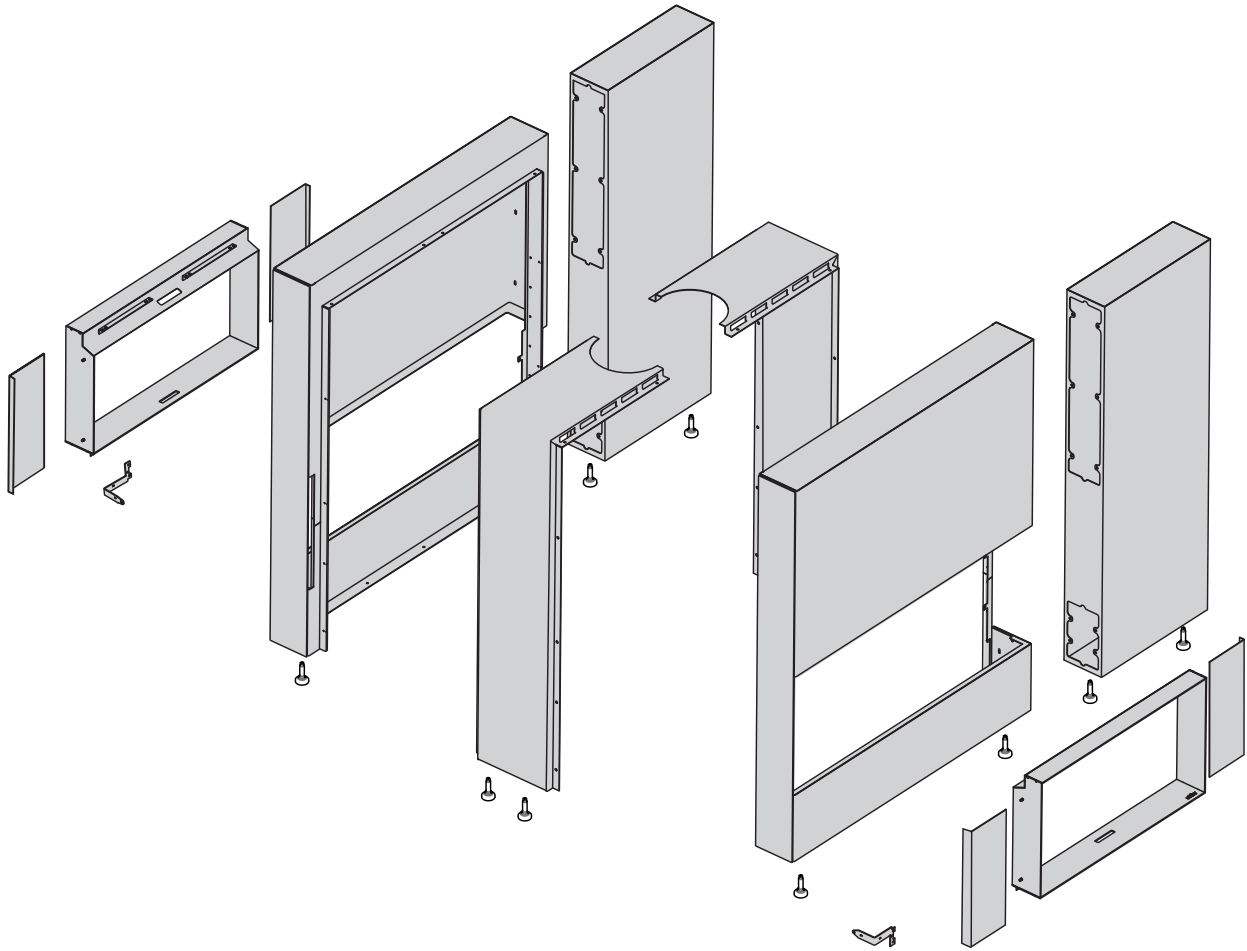
in the showroom and at the dealer,  
clearly defined look

**Various finishing options**

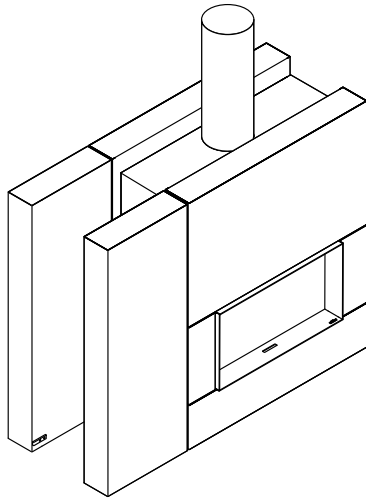
colors available as standard :  
RAL 9010, ConcreteGrey, DarkGrey  
rust steel  
custom : 19 chromatic shades



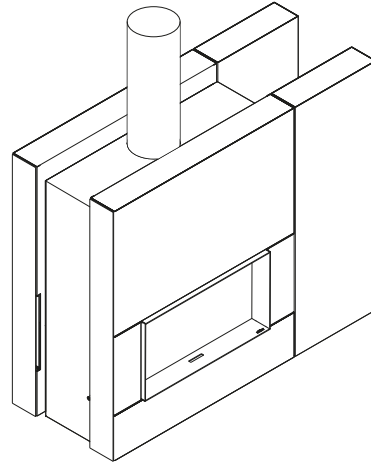
## OVERVIEW



# Stûv 22 | Ready-to-fit fireplace DF2

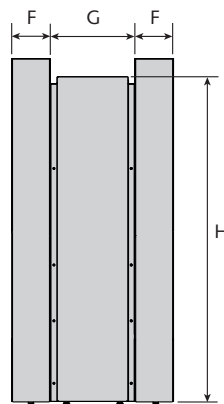
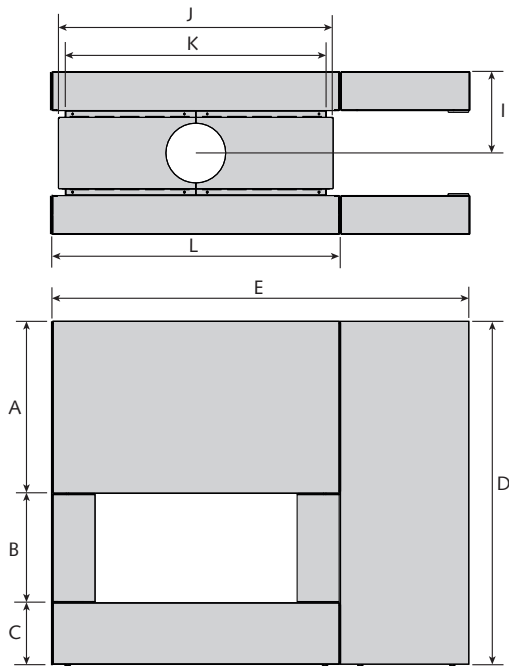


DF2 left



DF2 right

## DIMENSIONS



DIMENSIONS (MM)	STÛV 22/90	STÛV 22/110
A	757	657
B	571	471
C	270	270
D	1610	1510
E	1635	1835
F	170	170
G	372	372
H	1530	1430
I	356	356
J	1004	1204
K	944	1144
L	1060	1260

# Stûv 22 | Ready-to-fit fireplaces DF7\*



\* Only available for Stûv 22/90 DF and Stûv 22/110 DF

**Ease-of-use thanks to the integration of functions**

storage and transport of logs (option),  
the ease of a stove with the benefits of a retractable fireplace

**Integration into the architecture**

open spatial layout

**Facilitated installation**

ideal where there is no niche to fit the stove into the wall,  
reduction of finishing work time,  
the stove can be lit directly upon project completion,  
moveable

**Presentation aid**

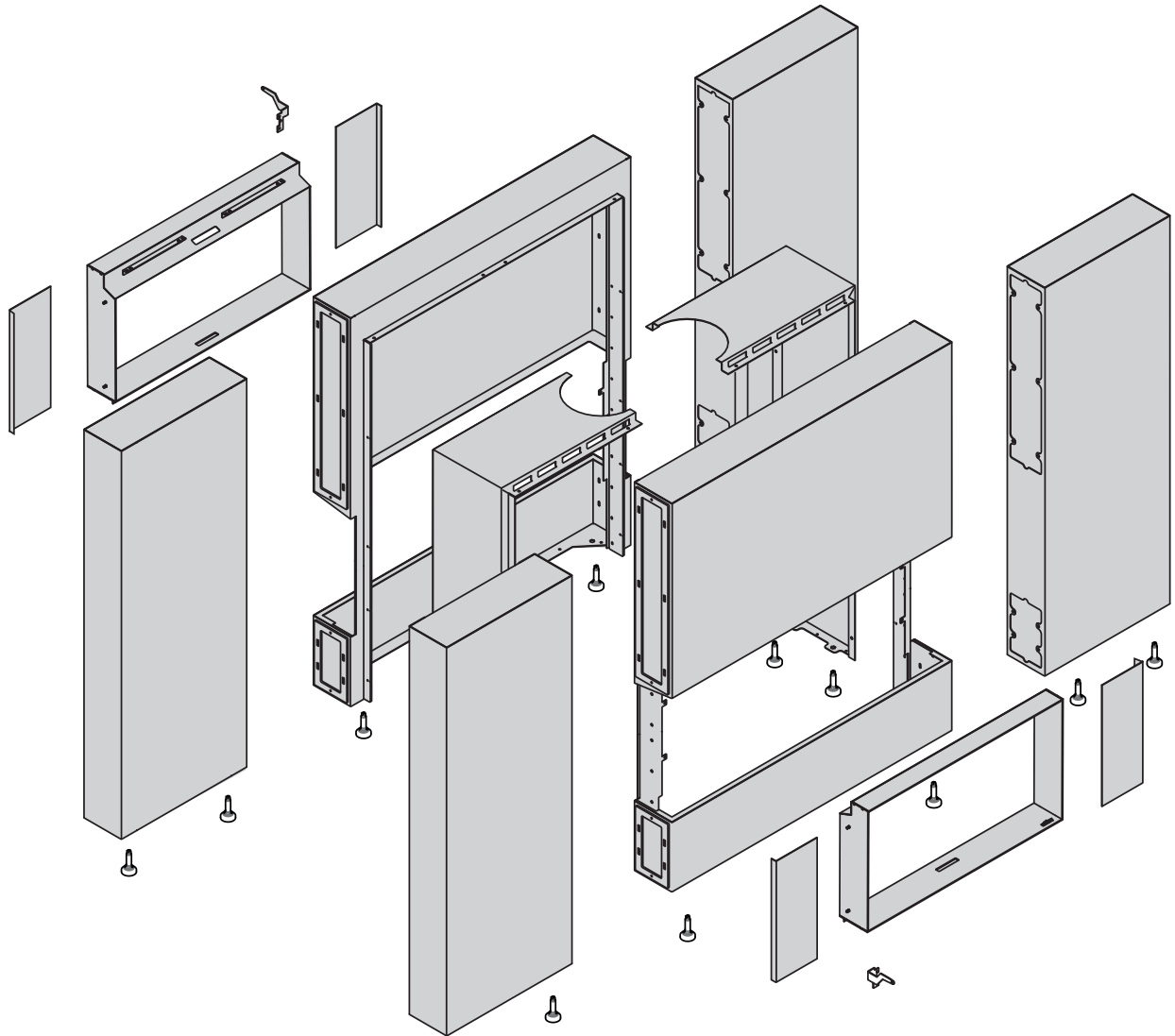
in the showroom and at the dealer,  
clearly defined look

**Various finishing options**

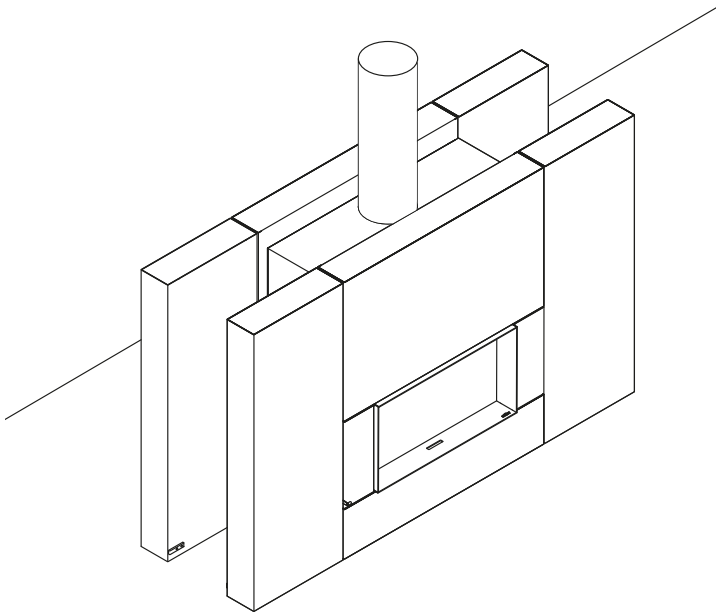
colors available as standard :  
RAL 9010, ConcreteGrey, DarkGrey  
rust steel  
custom : 19 chromatic shades



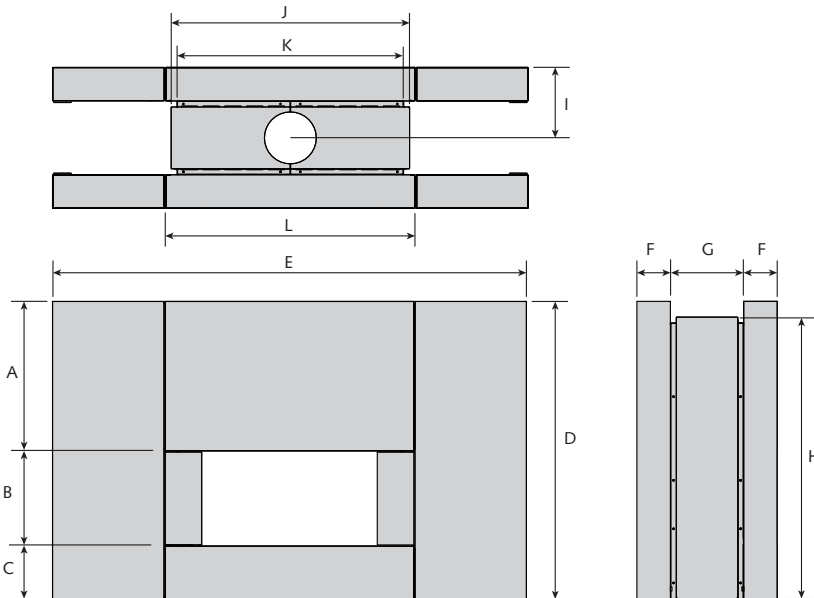
## OVERVIEW



# Stûv 22 | Ready-to-fit fireplace DF7



## DIMENSIONS



DIMENSIONS (MM)	STÛV 22/90	STÛV 22/110
A	757	657
B	571	471
C	270	270
D	1610	1510
E	2200	2400
F	170	170
G	372	372
H	1530	1430
I	356	356
J	1004	1204
K	944	1144
L	1072	1272